

365ASC-43
365ASC-43T

365ASC-64
365ASC-64T

365ASC-85
365ASC-85T



RETRACABLE SHELVING
SHOWN IN BOTH CONFIGURATIONS HERE



BID SPECIFICATIONS

STANDARD

- * DUAL USE SHOWCASE: CONVERTS FROM GELATO/ICE CREAM TO PASTRY/DELI WITH A PUSH OF A BUTTON
- * LED LIGHTING STANDARD
- * GALVANIZED STEEL CHASSIS CONSTRUCTION
- * INSULATED WITH DENSE NON-CFC ECOLOGIC POLYURETANHE FOAM
- * INSIDE STRUCUTRE MADE OF HIGH GLOSS 304 STAINLESS STEEL
- * DIGITAL DIAGNOSTIC CONTROL SYSTEM WITH PROGRAMMABLE DEFROSTING
- * REAR SLIDING PLEXIGLASS DOOR
- * UNIQUE FAN ASSISTED AIRFLOW DESIGN
- * INCLINED DISPLAY
- * HYDRAULIC TILT BACK FRONT GLASS

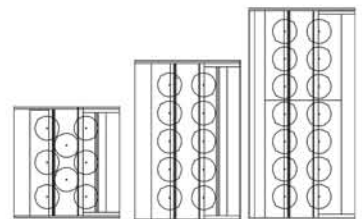
- * ALL TEMPERED, DOUBLE PANE HEATED GLASS ON FRONT AND SIDES
- * SIDE PANELS IN SILVER PAINTED FINISH
- * FRONT LOWER GLASS FACIA COLORS (GLASS IS BACK PAINTED):

SILVER	CHAMPAGNE	BROWN	WHITE
- * MULTIPLEXING CAPABILITY WITH GELATO, PASTRY, DELI, CHOCOLATE AND HOT CASE APPLICATIONS
- * DISPLAY CASE(S) TO BE SHIPPED FULLY ASSEMBLED
- * DISPLAY CASE(S) HAVE INTERGRATED ELECTRONIC TIME AND TEMPERATURE CONTROLLER(S) WITH HOT GAS DEFROST STANDARD ON GELATO MODELS
- * THE STANDARD LIMITED WARRANTY INCLUDES:
5 YEAR COMPRESSOR; 1 YEAR PARTS; 90 DAYS LABOR
- * DISPLAY CASE(S) TO BE LABORATORY CERTIFIED AS DESCRIBED

OPTIONAL

- * REAR SLIDING DOUBLE PANE GLASS DOOR
- * CASTERS
- * GRANITE WORK SURFACE (OPERATOR)
- * REMOTE CONDENSING UNIT
- * STAINLESS STEEL TEMPLATE TO ACCOMODATE 2.5 GALLON OR 3 GALLON ROUND ICE CREAM TUBS
- * SIDE PANELS IN CUSTOM COLOR OTHER THAN STOCK SILVER FINISH
- * END PANELS

- * LCD TOUCH PANEL CONTROL, CONTROLS 1-5 CASES (IF THEY ARE JOINED)
- * PANS NOT INCLUDED
- * SIDE PANELS PAINTED IN A GLOSSY FINISH



365 All Season - Convertible Case Technical Specifications

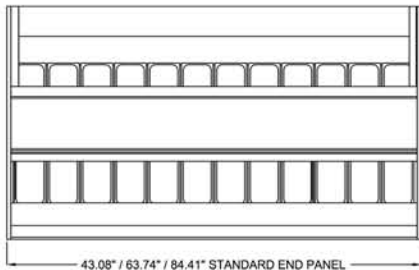
Converts from Low Temp Gelato to Med Temp Pastry

Model no.	Factory Code	Case Height	*Case Length	Case Depth	Crated Weight (lb)	Line Voltage	Breaker Size	Amp Draw	Working Temp F	Pastry Working Temp	Comp. HP
365ASC-43	TS6	49.25"	43.08"	47.44"	910	220/1/60	20amps	13	-10 to +10	38*	1 1/2 HP
365ASC-43T	TS6	55.25"	43.08"	47.44"	954	220/1/60	20amps	13	-10 to +10	38*	1 1/2 HP
365ASC-64	TS9	49.25"	63.74"	47.44"	1086	220/1/60	30amps	16	-10 to +10	38*	2 HP
365ASC-64T	TS9	55.25"	63.74"	47.44"	1130	220/1/60	30amps	16	-10 to +10	38*	2 HP
365ASC-85	TS12	49.25"	84.41"	47.44"	1240	220/1/60	30amps	17	-10 to +10	38*	1 1/2x2 HP
365ASC-85T	TS12	55.25"	84.41"	47.44"	1284	220/1/60	30amps	17	-10* to +10	38*	1 1/2x2 HP

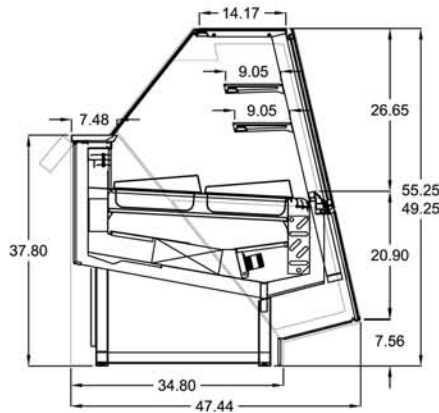
T = Tall (55.25" HIGH)

* Optional: Autodiagnosis & Touch Pad

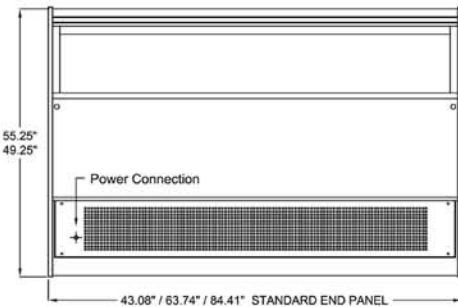
* Case lengths are specified with standard end panels



2 SHELVES FOR "T" MODELS



Factory Code	Pan Layout	Pan Size
G6		5 Liter
G6		12 Liter
G9		5 Liter
G9		12 Liter
G12		5 Liter
G12		12 Liter



PLAN & REAR VIEW

SIDE VIEW

LISTINGS:



ELECTRICAL CONNECTION:

Display cases are shipped with applicable junction box for hardwired installation
Options exist for several NEMA configurations
Plug and/or receptacle configurations are at the discretion of the electrical installer

NOTE:

Required ambient conditions: 75°F; 55% RH
Drawing and Specifications are subject to change without notice

CLABO North America, LLC
33300 Central Avenue
Union City, CA 94587 USA
PH 800.672.2784
FAX 510.441.0401
<http://www.otl-usa.com>