

365G-43  
365G-43T

365G-64  
365G-64T

365G-85  
365G-85T



## BID SPECIFICATIONS

STANDARD

- \* LED LIGHTING STANDARD
- \* GALVANIZED STEEL CHASSIS CONSTRUCTION
- \* INSULATED WITH DENSE NON-CFC ECOLOGIC POLYURETHANE FOAM
- \* INSIDE STRUCTURE MADE OF HIGH GLOSS 304 STAINLESS STEEL
- \* DIGITAL DIAGNOSTIC CONTROL SYSTEM WITH PROGRAMMABLE DEFROSTING
- \* REAR SLIDING PLEXIGLASS DOOR
- \* AIR-COOLED CONDENSING UNIT
- \* UNIQUE FAN ASSISTED AIRFLOW DESIGN
- \* INCLINED DISPLAY
- \* REMOVABLE STAINLESS STEEL DECK
- \* HYDRAULIC TILT BACK FRONT GLASS

- \* ALL TEMPERED, DOUBLE PANE HEATED GLASS ON FRONT AND SIDES
- \* SIDE PANELS IN SILVER PAINTED FINISH
- \* FRONT LOWER GLASS FACIA COLORS (GLASS IS BACK PAINTED):
 

|        |           |       |       |
|--------|-----------|-------|-------|
|        |           |       |       |
| SILVER | CHAMPAGNE | BROWN | WHITE |
- \* MULTIPLEXING CAPABILITY WITH PASTRY, DELI, CHOCOLATE AND HOT CASE APPLICATIONS
- \* DISPLAY CASE(S) TO BE SHIPPED FULLY ASSEMBLED
- \* DISPLAY CASE(S) HAVE INTERGRATED ELECTRONIC TIME AND TEMPERATURE CONTROLLER(S) WITH HOT GAS REVERSE CYCLE DEFROST STANDARD ON GELATO MODELS
- \* THE STANDARD LIMITED WARRANTY INCLUDES: 5 YEAR COMPRESSOR; 1 YEAR PARTS; 90 DAYS LABOR
- \* DISPLAY CASE(S) TO BE LABORATORY CERTIFIED AS DESCRIBED

OPTIONAL

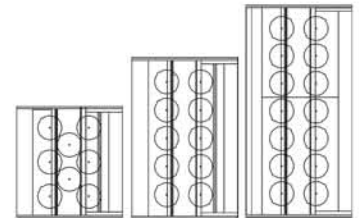
- \* REAR SLIDING DOUBLE PANE GLASS DOOR
- \* CASTERS
- \* GRANITE WORK SURFACE (OPERATOR SIDE)
- \* REMOTE CONDENSING UNIT
- \* SIDE PANELS IN CUSTOM COLOR OTHER THAN STOCK SILVER FINISH
- \* END PANELS

- \* STAINLESS STEEL TEMPLATE TO ACCOMODATE 2.5 GALLON OR 3 GALLON ROUND ICE CREAM TUBS

- \* PANS NOT INCLUDED



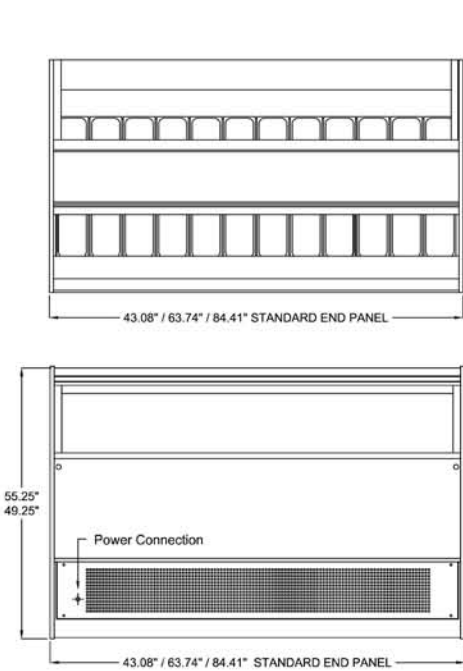
- \* SIDE PANELS PAINTED IN A GLOSSY FINISH (CASE SHIP IN BUFF WHITE PRIMER)



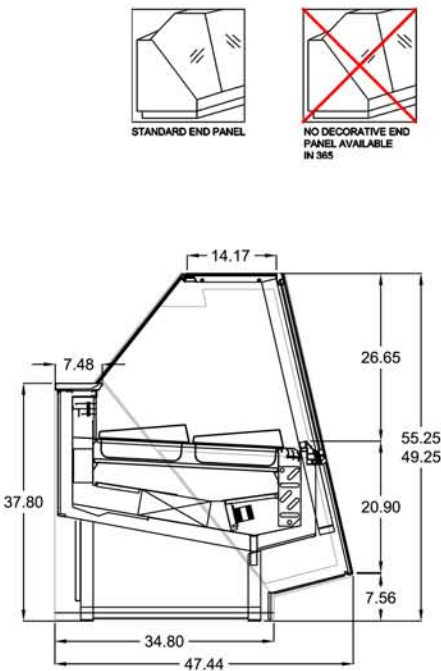
## 365 Gelato / Ice Cream Case Technical Specifications

| Model no. | Factory Code | Case Height | *Case Length | Case Depth | Crated Weight (lb) | Line Voltage | Breaker Size | Amp Draw | BTU                   | Working Temp F | Pan Capacity |          | Comp. HP   |
|-----------|--------------|-------------|--------------|------------|--------------------|--------------|--------------|----------|-----------------------|----------------|--------------|----------|------------|
|           |              |             |              |            |                    |              |              |          | -20 Evap Temp (R404a) |                | 5 Liter      | 12 Liter |            |
| 365G-43   | G6           | 49.25"      | 43.08"       | 47.44"     | 714                | 220/1/60     | 20amps       | 9        | 5300                  | -10 to +10     | 12           | 8        | 1 1/2 HP   |
| 365G-43T  | G6           | 55.25"      | 43.08"       | 47.44"     | 780                | 220/1/60     | 20amps       | 9        | 5300                  | -10 to +10     | 12           | 8        | 1 1/2 HP   |
| 365G-64   | G9           | 49.25"      | 63.74"       | 47.44"     | 870                | 220/1/60     | 30amps       | 10       | 7900                  | -10 to +10     | 18           | 12       | 2 HP       |
| 365G-64T  | G9           | 55.25"      | 63.74"       | 47.44"     | 954                | 220/1/60     | 30amps       | 10       | 7900                  | -10 to +10     | 18           | 12       | 2 HP       |
| 365G-85   | G12          | 49.25"      | 84.41"       | 47.44"     | 1050               | 220/1/60     | 30amps       | 14       | 9900                  | -10 to +10     | 24           | 16       | 1 1/2x2 HP |
| 365G-85T  | G12          | 55.25"      | 84.41"       | 47.44"     | 1150               | 220/1/60     | 30amps       | 14       | 9900                  | -10 to +10     | 24           | 16       | 1 1/2x2 HP |

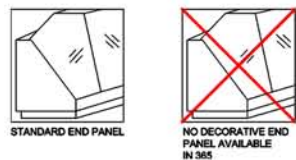
T = Tall (55.25" HIGH) \* Case lengths are specified with standard end panels



PLAN & REAR VIEW

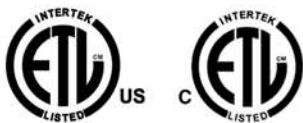


SIDE VIEW



| Factory Code | Pan Layout | Pan Size |
|--------------|------------|----------|
| G6           |            | 5 Liter  |
| G6           |            | 12 Liter |
| G9           |            | 5 Liter  |
| G9           |            | 12 Liter |
| G12          |            | 5 Liter  |
| G12          |            | 12 Liter |

### LISTINGS:



### ELECTRICAL CONNECTION:

Display cases are shipped with applicable junction box for hardwired installation  
 Options exist for several NEMA configurations  
 Plug and/or receptacle configurations are at the discretion of the electrical installer

### NOTE:

Required ambient conditions: 75°F; 55% RH  
 Drawing and Specifications are subject to change without notice

CLABO North America, LLC  
 33300 Central Avenue  
 Union City, CA 94587 USA  
 PH 800.672.2784  
 FAX 510.441.0401  
<http://www.otl-usa.com>