

365DH-43
365DH-43T

365DH-64
365DH-64T

365H-64BM
365H-64BMT



BID SPECIFICATIONS

STANDARD

- * LED LIGHTING STANDARD
- * GALVANIZED STEEL CHASSIS CONSTRUCTION
- * INSULATED WITH DENSE NON-CFC ECOLOGIC POLYURETHANE FOAM
- * INSIDE STRUCTURE MADE OF HIGH GLOSS 304 STAINLESS STEEL
- * REAR SLIDING PLEXIGLASS DOOR
- * ALL TEMPERED, DOUBLE PANE HEATED GLASS ON FRONT AND SIDES
- * INCLINED DISPLAY
- * HYDRAULIC TILT BACK FRONT GLASS
- * SIDE PANELS IN SILVER PAINTED FINISH

* FRONT LOWER GLASS FACIA COLORS

(GLASS IS BACK PAINTED):

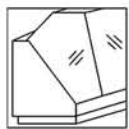


- * MULTIPLEXING CAPABILITY WITH GELATO, PASTRY, DELI, CHOCOLATE AND HOT CASE APPLICATIONS
- * DISPLAY CASE(S) TO BE SHIPPED FULLY ASSEMBLED
- * THE STANDARD LIMITED WARRANTY INCLUDES:
1 YEAR PARTS; 90 DAYS LABOR
- * DISPLAY CASE(S) TO BE LABORATORY CERTIFIED AS DESCRIBED

OPTIONAL

- * REAR SLIDING DOUBLE PANE GLASS DOOR
- * CASTERS
- * GRANITE WORK SURFACE (OPERATOR SIDE)
- * SIDE PANELS IN CUSTOM COLOR OTHER THAN STOCK SILVER FINISH
- * END PANELS

- * SIDE PANELS PAINTED IN A GLOSSY FINISH



STANDARD END PANEL



NO DECORATIVE END PANEL AVAILABLE IN 365

365 Hot Case Technical Specifications

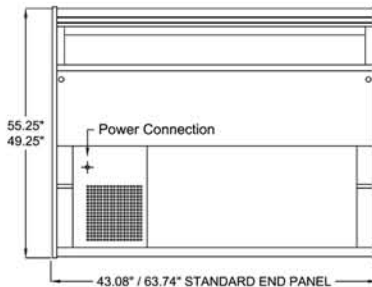
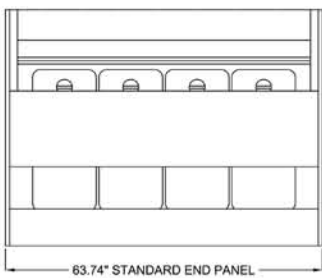
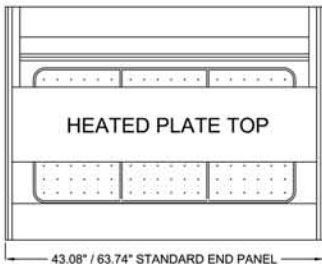
Model no.	Factory Code	Case Height	*Case Length	Case Depth	Crated Weight (lb)	Line Voltage	*Breaker Size	Amp Draw	Kilowatts
365DH-43	CS 2M	49.25"	43.08"	47.44"	624	220/1/60	20amps	13.8	2.5
365DH-43T	CS 2M	55.25"	43.08"	47.44"	624	220/1/60	20amps	13.8	2.5
365DH-64	CS 3M	49.25"	63.74"	47.44"	734	220/1/60	30amps	17.9	4
365DH-64T	CS 3M	55.25"	63.74"	47.44"	734	220/1/60	30amps	17.9	4
365H-64BM	CBM 3M	49.25"	63.74"	47.44"	734	220/1/60	40amps	23.8	5
365H-64BMT	CBM 3M	55.25"	63.74"	47.44"	734	220/1/60	40amps	23.8	5

T = Tall (55.25" HIGH)

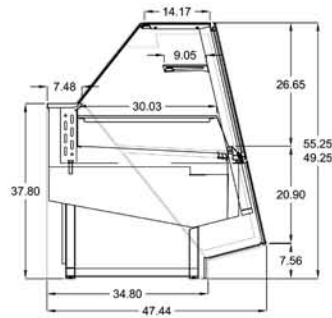
BM = Baine Marie

* Notes: All hot cases are available in 220V/3 Phase

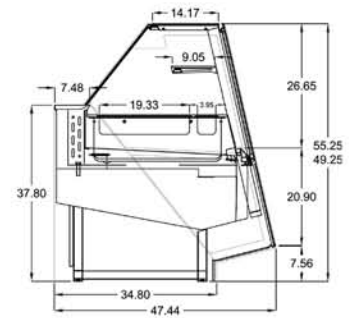
* Case lengths are specified with standard end panels



DELI HOT (CS)



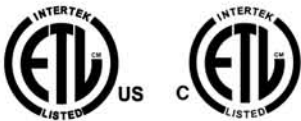
BAIN MARIE (CBM)



PLAN & REAR VIEW

SIDE VIEWS

LISTINGS:



ELECTRICAL CONNECTION:

Display cases are shipped with applicable junction box for hardwired installation
Options exist for several NEMA configurations
Plug and/or receptacle configurations are at the discretion of the electrical installer

NOTE:

Required ambient conditions: 75°F; 55% RH
Drawing and Specifications are subject to change without notice

CLABO North America, LLC
33300 Central Avenue
Union City, CA 94587 USA
PH 800.672.2784
FAX 510.441.0401
<http://www.otl-usa.com>