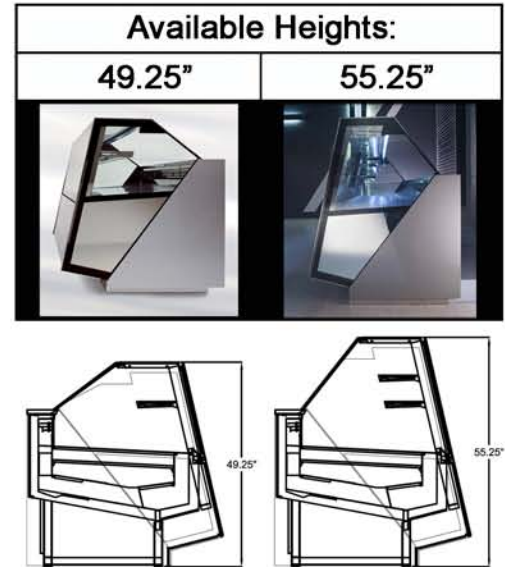


365N-43
365N-43T

365N-64
365N-64T

365N-85
365N-85T



BID SPECIFICATIONS

STANDARD

- * LED LIGHTING STANDARD
- * GALVANIZED STEEL CHASSIS CONSTRUCTION
- * INSULATED WITH DENSE NON-CFC ECOLOGIC POLYURETHANE FOAM
- * INSIDE STRUCTURE MADE OF HIGH GLOSS 304 STAINLESS STEEL
- * REAR SLIDING PLEXIGLASS DOOR
- * ALL TEMPERED, DOUBLE PANE HEATED GLASS ON FRONT AND SIDES
- * HYDRAULIC TILT BACK FRONT GLASS
- * SIDE PANELS IN SILVER PAINTED FINISH

- * FRONT LOWER GLASS FACIA COLORS
(GLASS IS BACK PAINTED): SILVER CHAMPAGNE BROWN WHITE
- * MULTIPLEXING CAPABILITY WITH GELATO, PASTRY, DELI, CHOCOLATE AND HOT CASE APPLCIATIONS
- * DISPLAY CASE(S) TO BE SHIPPED FULLY ASSEMBLED
- * THE STANDARD LIMITED WARRANTY INCLUDES:
1 YEAR PARTS; 90 DAYS LABOR
- * DISPLAY CASE(S) TO BE LABORATORY CERTIFIED AS DESCRIBED

OPTIONAL

- * REAR SLIDING DOUBLE PANE GLASS DOOR
- * CASTER
- * GRANITE WORK SURFACE (OPERATOR SIDE)
- * SIDE PANELS IN CUSTOM COLOR OTHER THAN STOCK SILVER FINISH

- * SIDE PANELS PAINTED IN A GLOSSY FINISH (CASE SHIP IN WHITE BUFF PRIMER)

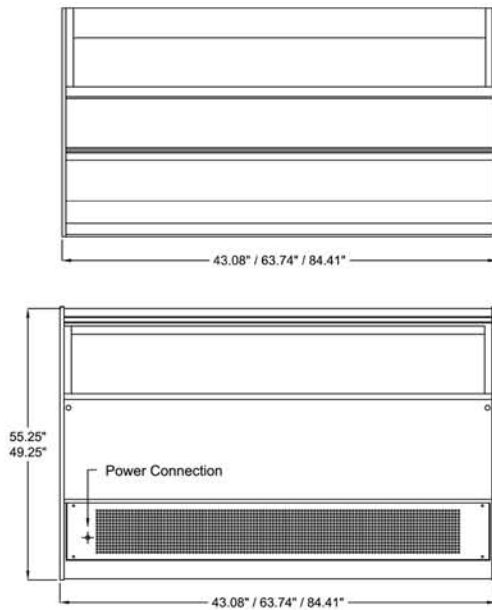


365 Neutral Technical Specifications

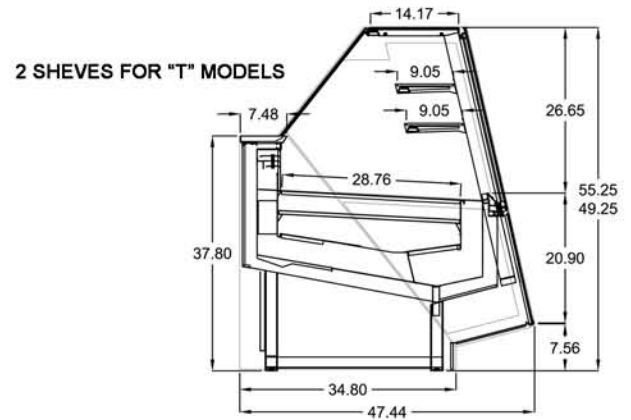
Model no.	Factory Codes	Case Heights	* Case Lengths	Case Depth	Crated Weights (lb)	Line Voltage	Breaker Size	Amp Draws	Working Temp F
365N-43	NS 2M	49.25"	43.08"	47.44"	723	115/1/60	20amps	3	Ambient
365N-43T	NS 2M	55.25"	43.08"	47.44"	875	115/1/60	20amps	3	Ambient
365N-64	NS 3M	49.25"	63.74"	47.44"	934	115/1/60	20amps	4	Ambient
365N-64T	NS 3M	55.25"	63.74"	47.44"	723	115/1/60	20amps	4	Ambient
365N-85	NS 4M	49.25"	84.41"	47.44"	875	115/1/60	20amps	5	Ambient
365N-85T	NS 4M	55.25"	84.41"	47.44"	934	115/1/60	20amps	5	Ambient

T = Tall (55.25" HIGH)

* Case lengths are specified with standard end panels

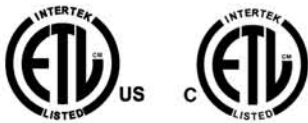


PLAN & REAR VIEW



SIDE VIEW

LISTINGS:



ELECTRICAL CONNECTION:

Display cases are shipped with applicable junction box for hardwired installation
Options exist for several NEMA configurations
Plug and/or receptacle configurations are at the discretion of the electrical installer

NOTE:

Required ambient conditions: 75°F; 55% RH
Drawing and Specifications are subject to change without notice

CLABO North America, LLC
33300 Central Avenue
Union City, CA 94587 USA
PH 800.672.2784
FAX 510.441.0401
<http://www.otl-usa.com>