

C40

C50

C60

CA30



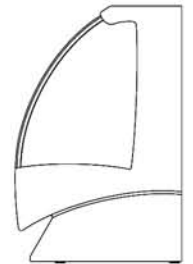
BID SPECIFICATIONS

STANDARD

- * DOUBLE PANE GLASS FRONT AND SIDES
- * DOUBLE PANE SLIDING BACK GLASS DOORS
- * HYDRAULIC LIFT UP FRONT GLASS
- * BACK & INSIDE STRUCTURE MADE OF HIGH GLOSS 304 STAINLESS STEEL
- * MULTIPLEXING CAPABILITY WITH GELATO, PASTRY, DELI, CHOCOLATE AND HOT CASE APPLICATIONS
- * DIGITAL DIAGNOSTIC CONTROL SYSTEM WITH PROGRAMMABLE DEFROSTING
- * GALVANIZED STEEL CHASSIS CONSTRUCTION
- * INSULATED WITH DENSE NON-CFC ECOLOGIC POLYURETHANE FOAM

- * SELF CONTAINED AIR-COOLED CONDENSING UNIT
- * UNIQUE FAN ASSISTED AIRFLOW DESIGN
- * SILVER ANODIZED ALUMINUM FINISH
- * INCLINE SHELF CAPABILITIES
- * DIGITAL HUMIDITY CONTROL SYSTEM
- * DISPLAY CASE(S) TO BE SHIPPED FULLY ASSEMBLED
- * THE STANDARD LIMITED WARRANTY INCLUDES:
5 YEAR COMPRESSOR; 1 YEAR PARTS; 90 DAYS LABOR
- * DISPLAY CASE(S) TO BE LABORATORY CERTIFIED AS DESCRIBED

Easy Delivery

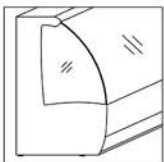


Only 35.25" Deep

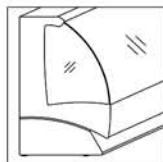
OPTIONAL

- * CASTERS
- * REMOTE CONDENSING UNIT
- * PLEXIGLAS SHELF PRODUCT GUARD
- * REAR AIR INTAKE AND DISCHARGE
- * DECORATIVE END PANELS

- * SIDE & FRONT PANELS PAINTED IN A GLOSSY FINISH (CASE SHIP IN BUFF WHITE PRIMER)



STANDARD END PANEL



DECORATIVE END PANEL (OPTIONAL)

ADD 1.50" TO TOTAL LENGTH

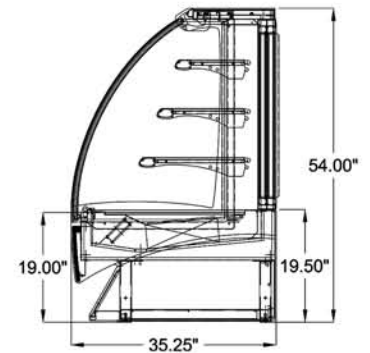
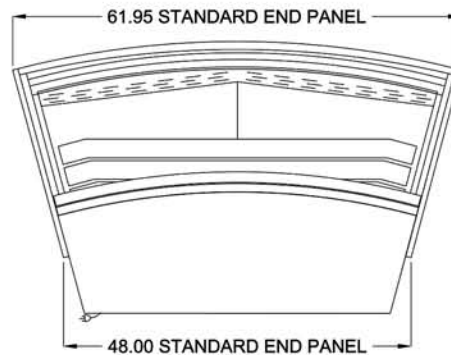
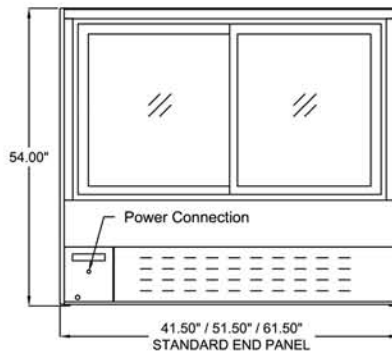
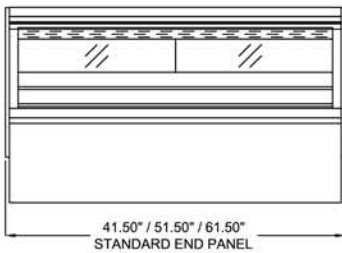
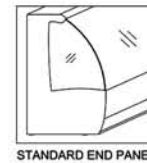
Italiana Refrigerated Chocolate Case Technical Specifications

Special Order ONLY

Model	Height	*Case Length	Depth	Crated Weight (lb)	Line Voltage	Breaker Size	Amp Draw	Working Temp F	Comp. HP
C40	54.00"	41.50"	35.25"	495	115/1/60	20 amp	8	57	1/2 HP
C50	54.00"	51.50"	35.25"	579	115/1/60	20 amp	9	57	1/2 HP
C60	54.00"	61.50"	35.25"	661	115/1/60	20 amp	10	57	3/4 HP
CA30	54.00"	*48.00"	35.25"	495	115/1/60	20 amp	8	57	1/2 HP

* Please See A30 Plan View for Detail Dimension of the Case

*Case lengths are specified with standard end panels



PLAN & REAR VIEW

A30 PLAN VIEW

SIDE VIEW

LISTINGS:



ELECTRICAL CONNECTION:

Display cases are shipped with applicable junction box for hardwired installation
Options exist for several NEMA configurations
Plug and/or receptacle configurations are at the discretion of the electrical installer

NOTE:

Required ambient conditions: 75°F; 55% RH
Drawing and Specifications are subject to change without notice

CLABO North America, LLC
33300 Central Avenue
Union City, CA 94587 USA
PH 800.672.2784
FAX 510.441.0401
<http://www.otl-usa.com>