

TN40

TN50

TN60

TNA30



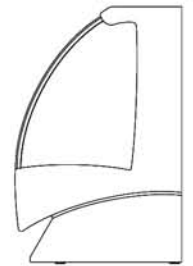
### BID SPECIFICATIONS

STANDARD

- \* DOUBLE PANE SLIDING BACK GLASS DOORS
- \* DOUBLE PANE GLASS FRONT AND SIDES
- \* HYDRAULIC LIFT UP FRONT GLASS
- \* BACK & INSIDE STRUCTURE MADE OF HIGH GLOSS 304 STAINLESS STEEL
- \* DIGITAL DIAGNOSTIC CONTROL SYSTEM WITH PROGRAMMABLE DEFROSTING
- \* GALVANIZED STEEL CHASSIS CONSTRUCTION
- \* INSULATED WITH DENSE NON-CFC ECOLOGIC POLYURETHANE FOAM
- \* SELF CONTAINED AIR-COOLED CONDENSING UNIT
- \* UNIQUE FAN ASSISTED AIRFLOW DESIGN
- \* SILVER ANODIZED ALUMINUM FINISH

- \* INCLINE SHELF CAPABILITIES
- \* MULTIPLEXING CAPABILITY WITH GELATO, PASTRY, DELI, CHOCOLATE AND HOT CASE APPLICATIONS
- \* DISPLAY CASE(S) TO BE SHIPPED FULLY ASSEMBLED
- \* THE STANDARD LIMITED WARRANTY INCLUDES:  
5 YEAR COMPRESSOR; 1 YEAR PARTS; 90 DAYS LABOR
- \* DISPLAY CASE(S) TO BE LABORATORY CERTIFIED AS DESCRIBED

Easy Delivery

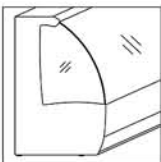


Only 35.25" Deep

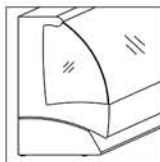
OPTIONAL

- \* CASTERS
- \* REMOTE CONDENSING UNIT
- \* PLEXIGLASS SHELF PRODUCT GURAD
- \* REAR AIR INTAKE AND DISCHARGE
- \* DECORATIVE END PANELS

- \* SIDE & FRONT PANELS PAINTED IN A GLOSSY FINISH (CASE SHIP IN BUFF WHITE PRIMER)



STANDARD END PANEL



DECORATIVE END PANEL (OPTIONAL)

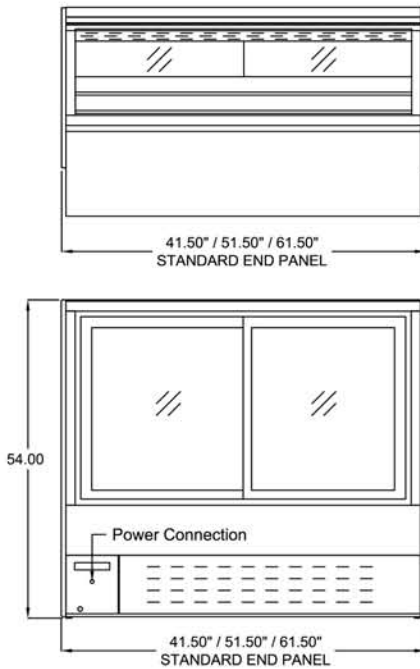
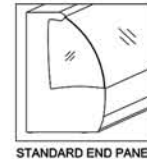
ADD 1.50" TO TOTAL LENGTH

### Italiana Deli & Pastry Case Technical Specifications

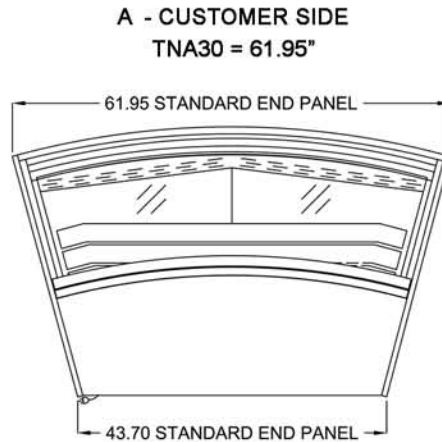
#### Refrigerated Deli & Pastry: "TN"

Model	Height	*Case Length	Depth	Crated Weight (lb)	Line Voltage	Breaker Size	Amp Draw	Working Temp F	Comp. HP
TN40	54.00"	41.50"	35.25"	495	115/1/60	20 amp	8	41	1/2 HP
TN50	54.00"	51.50"	35.25"	579	115/1/60	20 amp	9	41	1/2 HP
TN60	54.00"	61.50"	35.25"	661	115/1/60	30 amp	10	41	3/4 HP
TNA30	54.00"	* A & B *	35.25"	495	115/1/60	20 amp	10	41	3/4 HP

\* Case lengths are specified with standard end panels

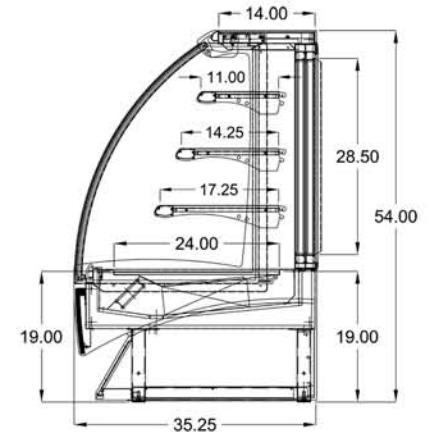


PLAN & REAR VIEW



B - OPERATOR SIDE  
TNA30 = 43.70"

A30 PLAN VIEW



SIDE VIEW

#### LISTINGS:



#### ELECTRICAL CONNECTION:

Display cases are shipped with applicable junction box for hardwired installation  
Options exist for several NEMA configurations  
Plug and/or receptacle configurations are at the discretion of the electrical installer

#### NOTE:

Required ambient conditions: 75°F; 55% RH  
Drawing and Specifications are subject to change without notice

CLABO North America, LLC  
33300 Central Avenue  
Union City, CA 94587 USA  
PH 800.672.2784  
FAX 510.441.0401  
<http://www.otl-usa.com>