

BT40



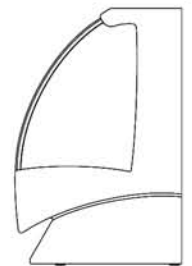
BID SPECIFICATIONS

STANDARD

- * DOUBLE PANE HEATED GLASS FRONT AND SIDES
- * HYDRAULIC LIFT UP FRONT GLASS
- * BACK & INSIDE STRUCTURE MADE OF HIGH GLOSS 304 STAINLESS STEEL
- * DIGITAL DIAGNOSTIC CONTROL SYSTEM WITH PROGRAMMABLE DEFROSTING
- * GALVANIZED STEEL CHASSIS CONSTRUCTION
- * INSULATED WITH DENSE NON-CFC ECOLOGIC POLYURETHANE FOAM
- * SELF CONTAINED AIR-COOLED CONDENSING UNIT
- * UNIQUE FAN ASSISTED AIRFLOW
- * SILVER ANODIZED ALUMINUM FINISH
- * STAINLESS STEEL INSULATED BACK DOORS

- * INCLINE SHELF CAPABILITIES
- * MULTIPLEXING CAPABILITY WITH GELATO, PASTRY, DELI, CHOCOLATE AND HOT CASE APPLICATIONS
- * DISPLAY CASE(S) TO BE SHIPPED FULLY ASSEMBLED
- * THE STANDARD LIMITED WARRANTY INCLUDES:
5 YEAR COMPRESSOR; 1 YEAR PARTS; 90 DAYS LABOR
- * DISPLAY CASE(S) TO BE LABORATORY CERTIFIED AS DESCRIBED

Easy Delivery

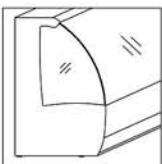


Only 35.25" Deep

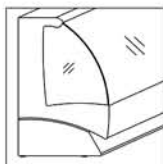
OPTIONAL

- * CASTERS
- * REMOTE CONDENSING UNIT
- * PLEXIGLASS SHELF PRODUCT GUARD
- * DECORATIVE END PANELS

- * SIDE & FRONT PANELS PAINTED IN A GLOSSY FINISH (CASE SHIP IN BUFF WHITE PRIMER)



STANDARD END PANEL



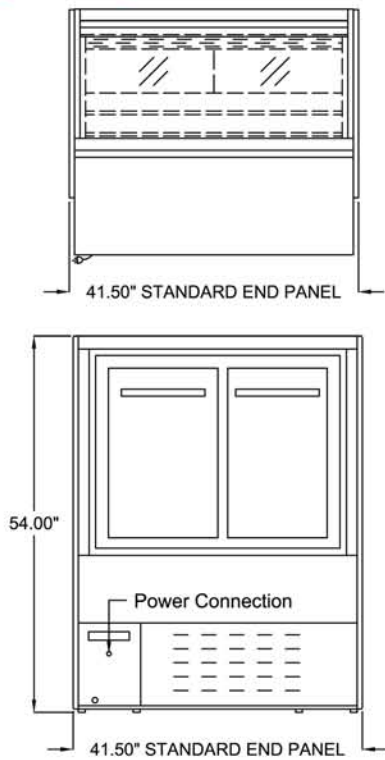
DECORATIVE END PANEL
(OPTIONAL)
ADD 1.50" TO TOTAL LENGTH

Italiana Low Temp Case Technical Specifications

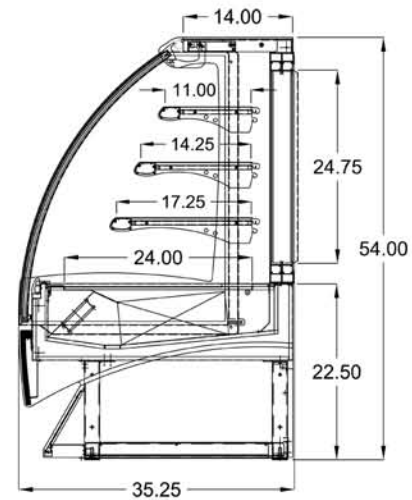
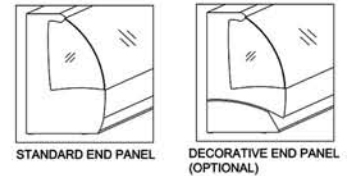
Lo Temp Frozen Cakes & Pastries: "BT"

Model	Height	*Case Length	Depth	Crated Weight (lb)	Line Voltage	Breaker Size	Amp Draw	Working Temp F	Comp. HP
BT40	54.00"	41.50"	35.25"	529	220/1/60	20amp	12	-10 to +10	1 1/2 HP

* Case lengths are specified with standard end



PLAN & REAR VIEW



SIDE VIEW

LISTINGS:



ELECTRICAL CONNECTION:

Display cases are shipped with applicable junction box for hardwired installation
Options exist for several NEMA configurations
Plug and/or receptacle configurations are at the discretion of the electrical installer

NOTE:

Required ambient conditions: 75°F; 55% RH
Drawing and Specifications are subject to change without notice

CLABO North America, LLC
33300 Central Avenue
Union City, CA 94587 USA
PH 800.672.2784
FAX 510.441.0401
<http://www.otl-usa.com>