

N40      N50      N60      NA30

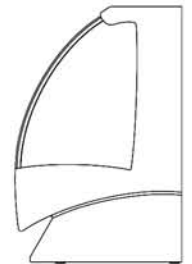


### BID SPECIFICATIONS

STANDARD

- \* DOUBLE PANE SLIDING GLASS BACK DOOR
- \* DOUBLE PANE GLASS FRONT AND SIDES
- \* HYDRAULIC LIFT UP FRONT GLASS
- \* BACK & INSIDE STRUCTURE MADE OF HIGH GLOSS 304 STAINLESS STEEL
- \* MULTIPLEXING CAPABILITY WITH GELATO, PASTRY, DELI, CHOCOLATE AND HOT CASE APPLICATIONS
- \* GALVANIZED STEEL CHASSIS CONSTRUCTION
- \* INSULATED WITH DENSE NON-CFC ECOLOGIC POLYURETHANE FOAM
- \* SILVER ANODIZED ALUMINUM FINISH
- \* INCLINE SHELF CAPABILITIES
- \* DISPLAY CASE(S) TO BE SHIPPED FULLY ASSEMBLED
- \* THE STANDARD LIMITED WARRANTY INCLUDES: 1 YEAR PARTS; 90 DAYS LABOR
- \* DISPLAY CASE(S) TO BE LABORTORY CERTIFIED AS DESCRIBED

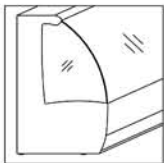
Easy Delivery



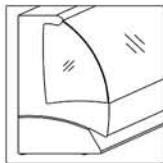
Only 35.25" Deep

OPTIONAL

- \* CASTERS
- \* PLEXIGLAS SHELF PRODUCT GURAD
- \* DECORATIVE END PANELS
- \* SIDE & FRONT PANELS PAINTED IN A GLOSSY FINISH (CASE SHIP IN BUFF WHITE PRIMER)



STANDARD END PANEL



DECORATIVE END PANEL (OPTIONAL)  
ADD 1.50" TO TOTAL LENGTH



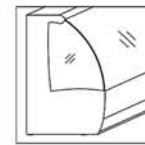
### Italiana Neutral / Dry Case Technical Specifications

No Heat or cooling

Model	Height	*Case Length	Depth	Crated Weight (lb)	Line Voltage	Breaker Size	Amp Draw	Working Temp
N40	54.00"	41.50"	35.25"	375	115/1/60	20 amp	2	Ambient
N50	54.00"	51.50"	35.25"	463	115/1/60	20 amp	3	Ambient
N60	54.00"	61.50"	35.25"	551	115/1/60	20 amp	4	Ambient
NA30	54.00"	*48.00"	35.25"	485	115/1/60	20 amp	2	Ambient

\* Please See A30 Plan View for Detail Dimension of the Case

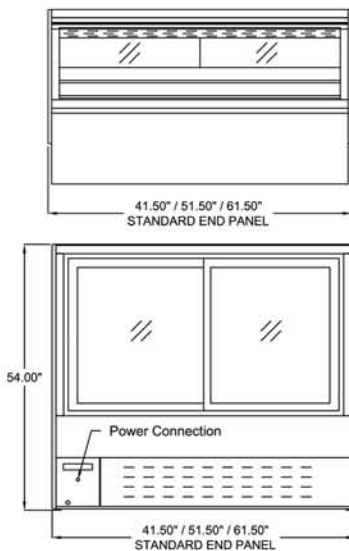
\*Case lengths are specified with standard end panels



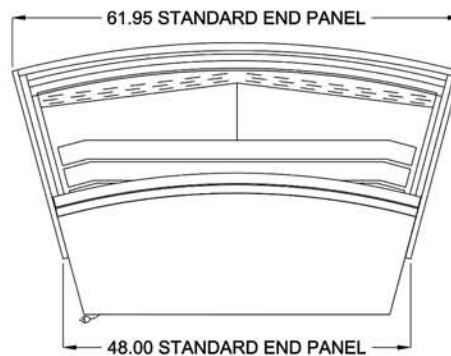
STANDARD END PANEL



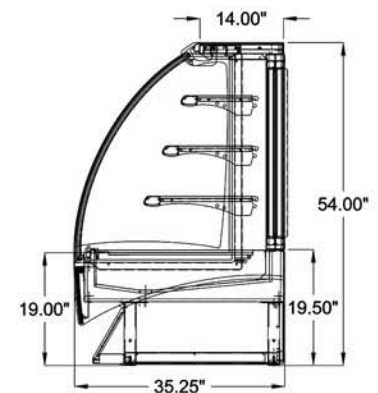
DECORATIVE END PANEL (OPTIONAL)



PLAN & REAR VIEW

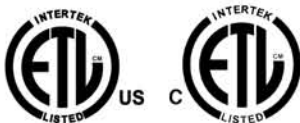


A30 PLAN VIEW



SIDE VIEW

#### LISTINGS:



#### ELECTRICAL CONNECTION:

Display cases are shipped with applicable junction box for hardwired installation  
Options exist for several NEMA configurations  
Plug and/or receptacle configurations are at the discretion of the electrical installer

#### NOTE:

Required ambient conditions: 75°F; 55% RH  
Drawing and Specifications are subject to change without notice

CLABO North America, LLC  
33300 Central Avenue  
Union City, CA 94587 USA  
PH 800.672.2784  
FAX 510.441.0401  
<http://www.otl-usa.com>