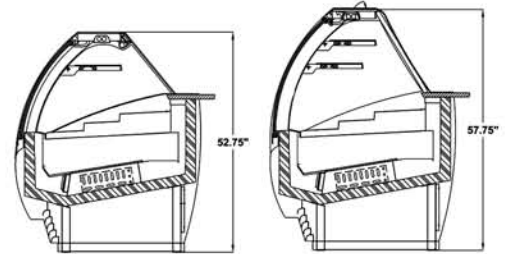


KC43 KC64 KC85
 KC43T KC64T KC85T

Available Heights:	
52.75"	57.75"



BID SPECIFICATIONS

STANDARD

- * ALL TEMPERED, DOUBLE PANE GLASS FRONT AND SIDES
- * GALVANIZED STEEL CHASSIS CONSTRUCTION
- * INSULATED WITH DENSE NON-CFC ECOLOGIC POLYURETHANE FOAM
- * INSIDE STRUCTURE MADE OF HIGH GLOSS 304 STAINLESS STEEL
- * STAINLESS STEEL WORK SURFACE
- * DIGITAL DIAGNOSTIC CONTROL SYSTEM WITH PROGRAMMABLE DEFROSTING
- * REAR PLEXIGLASS SLIDING DOORS
- * AIR-COOLED CONDENSING UNIT
- * UNIQUE FAN ASSISTED AIRFLOW DESIGN

- * FRONT GLASS OPENS UPWARD
- * DIGITAL HUMIDITY CONTROL ON REFRIGERATED DECK, NON-REFRIGERATED SHELVES
- * SILVER ANODIZED ALUMINUM TRIM
- * TIERED STAINLESS STEEL DECK
- * MULTIPLEXING CAPABILITY WITH GELATO, PASTRY, DELI, CHOCOLATE AND HOT CASE APPLICATIONS
- * DISPLAY CASE(S) TO BE SHIPPED FULLY ASSEMBLED
- * THE STANDARD LIMITED WARRANTY INCLUDES: 5 YEAR COMPRESSOR; 1 YEAR PARTS; 90 DAYS LABOR
- * DISPLAY CASE(S) TO BE LABORATORY CERTIFIED AS DESCRIBED

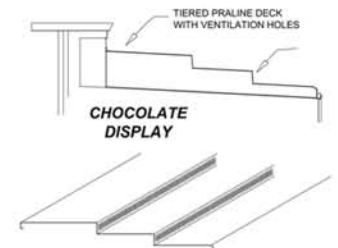
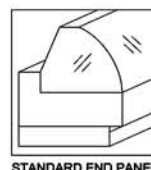
OPTIONAL

- * FULLY REFRIGERATED SHOWCASE OPTION
- * DOUBLE PANE SLIDING BACK DOOR AVAILABLE ON LOWER CASE MODEL
- * CASTERS
- * GRANITE WORK SURFACE (OPERATOR SIDE)
- * CHROME STUDS IN FRONT PANEL
- * CHAMPAGNE ANODIZED ALUMINUM TRIM
- * REMOTE CONDENSING UNIT
- * REAR AIR INTAKE AND DISCHARGE

- * SIDE & FRONT PANELS PAINTED IN A GLOSSY FINISH (CASE SHIP IN BUFF WHITE PRIMER)



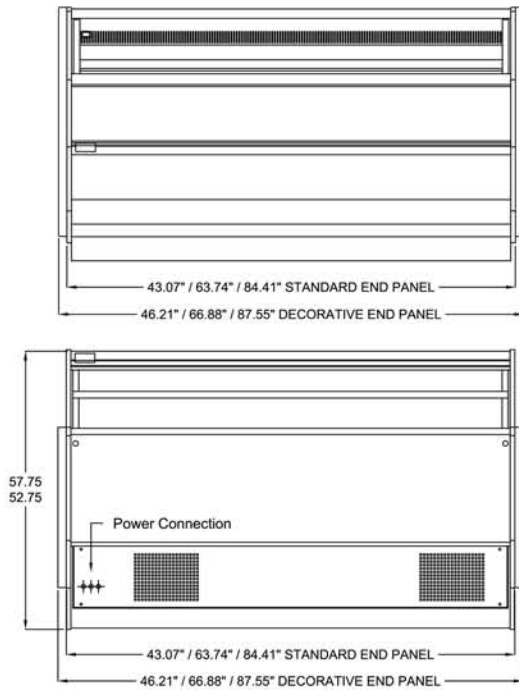
- * DECORATIVE SIDE PANELS



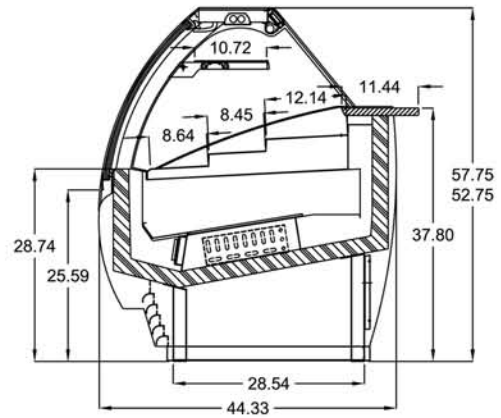
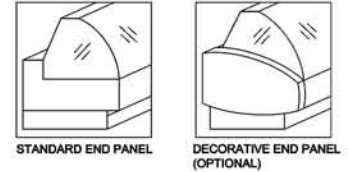
Korea Chocolate Refrigerated Case Technical Specifications

Updated Model no.	Old Model No.	Factory Code	Case Height	*Case Length	Case Depth	Crated Weight (lb)	Line Voltage	Breaker Size	Amp Draw	Working Temp F	Comp. HP	Shelves
KC43	C87K-3SCC	RP 2M	52.75"	43.07"	44.33"	734	115/1/60	20amps	10	57	1/3 HP	1
KC43T	C87K-3SCC	RP 2M	57.75"	43.07"	44.33"	734	115/1/60	20amps	10	57	1/3 HP	2
KC64	C87K-5SCC	RP 3M	52.75"	63.74"	44.33"	888	115/1/60	20amps	10	57	1/2 HP	1
KC64T	C87K-5SCC	RP 3M	57.75"	63.74"	44.33"	888	115/1/60	20amps	10	57	1/2 HP	2
KC85	C87K-7SCC	RP 4M	52.75"	84.41"	44.33"	1042	115/1/60	20amps	10	57	3/4 HP	1
KC85T	C87K-7SCC	RP 4M	57.75"	84.41"	44.33"	1042	115/1/60	20amps	10	57	3/4 HP	2

T = TALL * Case lengths are specified with standard end panels



PLAN & REAR VIEW



SIDE VIEW

LISTINGS:



ELECTRICAL CONNECTION

Display cases are shipped with applicable junction box for hardwired installation
Options exist for several NEMA configurations
Plug and/or receptacle configurations are at the discretion of the electrical installer

NOTE:

Required ambient conditions: 75°F; 55% RH
Drawing and Specifications are subject to change without notice

CLABO North America, LLC
33300 Central Avenue
Union City, CA 94587 USA
PH 800.672.2784
FAX 510.441.0401
<http://www.otl-usa.com>