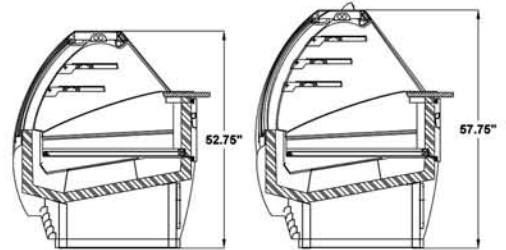


KN43 KN64 KN85
 KN43T KN64T KN85T



Available Heights:	
52.75"	57.75"



BID SPECIFICATIONS

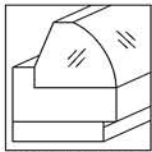
STANDARD

- * DUAL PANE TEMPERED GLASS FRONT AND SIDE
- * LIFT UP FRONT GLASS WITH HYDRAULIC PISTON SYSTEM
- * STAINLESS STEEL WORK SURFACE
- * REAR PLEXIGLAS DOORS
- * 2 SHELVES WITH 52.75" HIGH MODEL, 3 SHELVES WITH 57.75" HIGH MODEL
- * MULTIPLEXING CAPABILITY WITH GELATO, PASTRY, DELI, CHOCOLATE AND HOT CASE APPLICATIONS
- * SILVER ANODIZED ALUMINUM TRIM
- * DISPLAY CASE(S) TO BE SHIPPED FULLY ASSEMBLED
- * THE STANDARD LIMITED WARRANTY INCLUDES:
 1 YEAR PARTS; 90 DAYS LABOR
- * DISPLAY CASE(S) TO BE LABORATORY CERTIFIED AS DESCRIBED

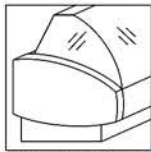
OPTIONAL

- * CASTERS
- * GRANITE WORK SURFACE (OPERATOR SIDE)
- * CHROME STUDS IN FRONT PANEL
- * CHAMPAGNE ANODIZED ALUMINUM TRIM
- * DECORATIVE SIDE PANELS

* SIDE & FRONT PANELS PAINTED IN A GLOSSY FINISH (CASE SHIP IN BUFF WHITE PRIMER)



STANDARD END PANEL



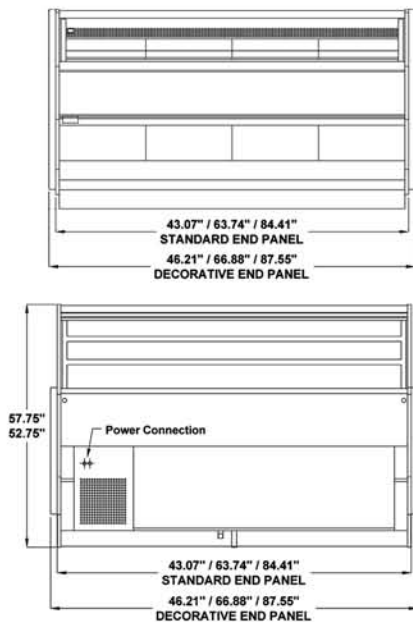
DECORATIVE END PANEL (OPTIONAL)

Korea Neutral Case Technical Specifications

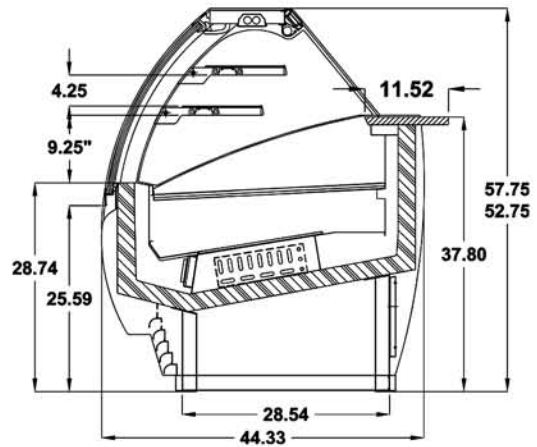
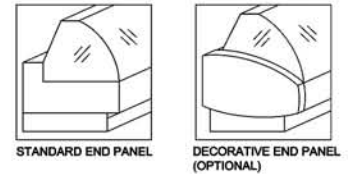
No Heat, No Cooling

Updated Model no.	Case Height	*Case Length	Case Depth	Crated Weight	Line Voltage	Breaker Size	Amp Draw	Working Temp	Shelves
KN43	52.75"	43.07"	44.33"	624 lbs	115/1/60	20amps	2	Ambient	2
KN43T	57.75"	43.07"	44.33"	624 lbs	115/1/60	20amps	2	Ambient	3
KN64	52.75"	63.74"	44.33"	734 lbs	115/1/60	20amps	3	Ambient	2
KN64T	57.75"	63.74"	44.33"	734 lbs	115/1/60	20amps	3	Ambient	3
KN85	52.75"	84.41"	44.33"	784 lbs	115/1/60	20amps	4	Ambient	2
KN85T	57.75"	84.41"	44.33"	784 lbs	115/1/60	20amps	4	Ambient	3

T = TALL *Case lengths are specified with standard end panels



PLAN & REAR VIEW



SIDE VIEW

LISTINGS:



ELECTRICAL CONNECTION

Display cases are shipped with applicable junction box for hardwired installation
Options exist for several NEMA configurations
Plug and/or receptacle configurations are at the discretion of the electrical installer

NOTE:

Required ambient conditions: 75°F; 55% RH
Drawing and Specifications are subject to change without notice

CLABO North America, LLC
33300 Central Avenue
Union City, CA 94587 USA
PH 800.672.2784
FAX 510.441.0401
<http://www.otl-usa.com>