

SC38

SC56

SC74

SC110



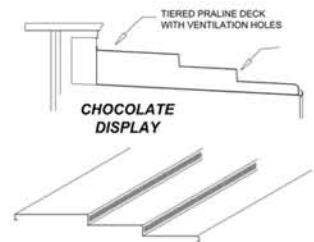
BID SPECIFICATIONS

STANDARD

- * ALL TEMPERED GLASS ON FRONT AND SIDES
- * GALVANIZED STEEL CHASSIS CONSTRUCTION
- * INSULATED WITH DENSE NON-CFC ECOLOGIC POLYURETHANE FOAM
- * INSIDE STRUCTURE MADE OF HIGH GLOSS 304 STAINLESS STEEL
- * STAINLESS STEEL WORK SURFACE
- * DIGITAL DIAGNOSTIC CONTROL SYSTEM WITH PROGRAMMABLE DEFROSTING
- * REAR PLEXIGLASS SLIDING DOORS
- * AIR-COOLED CONDENSING UNIT
- * UNIQUE FAN ASSISTED AIRFLOW DESIGN
- * FRONT GLASS OPENS UPWARD
- * REFRIGERATED DECK, NON-REFRIGERATED SHELF
- * HUMIDITY CONTROL SYSTEM
- * MULTIPLEXING CAPABILITY WITH GELATO, PASTRY, DELI, CHOCOLATE AND HOT CASE APPLICATIONS
- * DISPLAY CASE(S) TO BE SHIPPED FULLY ASSEMBLED
- * THE STANDARD LIMITED WARRANTY INCLUDES:
5 YEAR COMPRESSOR; 1 YEAR PARTS; 90 DAYS LABOR
- * DISPLAY CASE(S) TO BE LABORATORY CERTIFIED AS DESCRIBED

OPTIONAL

- * CASTERS
- * GRANITE WORK SURFACE (OPERATOR SIDE)
- * REMOTE CONDENSING UNIT
- * REAR AIR INTAKE AND DISCHARGE
- * DECORATIVE SIDE PANELS
- * SIDE & FRONT PANELS PAINTED IN A GLOSSY FINISH (CASE SHIP IN BUFF WHITE PRIMER)

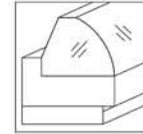


AVAILABLE IN LINEAR CASES ONLY

Sacher Chocolate Refrigerated Case Technical Specifications

Updated Model no.	Old Model No.	Factory Code	Case Height	*Case Length	Case Depth	Crated Weight (lb)	Line Voltage	Breaker Size	Amp Draw	Working Temp F	Compressor Size
SC38	C87S-3SCC	FVS 2M	55.50"	37.16"	41.61"	840	115/1/60	20amps	10	55	1/3 HP
SC56	C87S-5SCC	FVS 3M	55.50"	55.43"	41.61"	1245	115/1/60	20amps	11	55	1/2 HP
SCP74	C87S-7SCC	FVS 4M	55.50"	73.34"	41.61"	1566	115/1/60	20amps	11	55	1/2 HP
SC110	C87S-9SCC	FVS 6M	55.50"	109.95"	41.61"	2127	115/1/60	20amps	12	55	3/4 HP

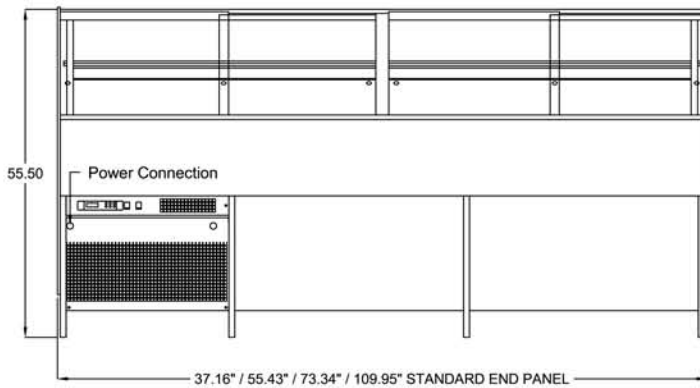
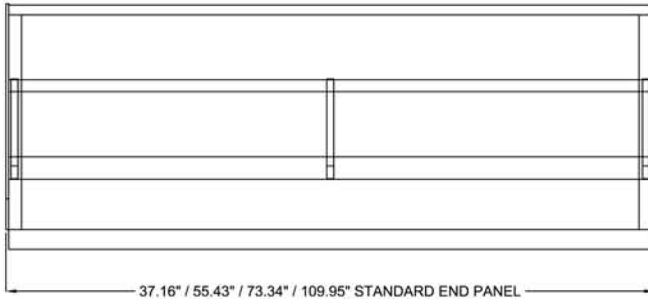
* Case lengths are specified with standard end panels



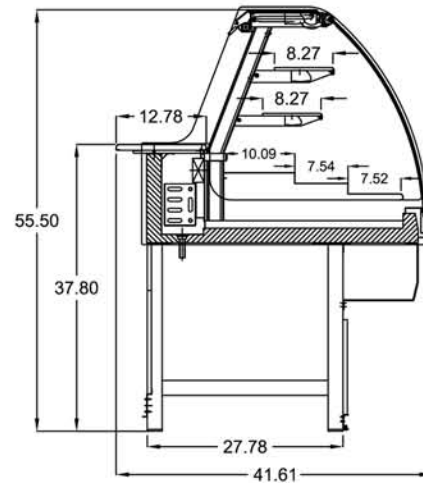
STANDARD END PANEL



DECORATIVE END PANEL



PLAN & REAR VIEW



SIDE VIEW

LISTINGS:



ELECTRICAL CONNECTION:

Display cases are shipped with applicable junction box for hardwired installation
 Options exist for several NEMA configurations
 Plug and/or receptacle configurations are at the discretion of the electrical installer

NOTE:

Required ambient conditions: 75°F; 55% RH
 Drawing and Specifications are subject to change without notice

CLABO North America, LLC
 33300 Central Avenue
 Union City, CA 94587 USA
 PH 800.672.2784
 FAX 510.441.0401
<http://www.otl-usa.com>