

SG40

SG60

SG80



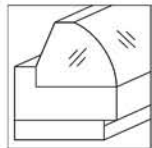
BID SPECIFICATIONS

STANDARD

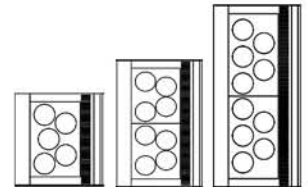
- * ALL TEMPERED, DOUBLE PANED HEATED GLASS ON FRONT AND SIDES
- * GALVANIZED STEEL CHASSIS CONSTRUCTION
- * INSULATED WITH DENSE NON-CFC ECOLOGIC POLYURETHANE FOAM
- * INSIDE STRUCTURE MADE OF HIGH GLOSS 304 STAINLESS STEEL
- * STAINLESS STEEL WORK SURFACE
- * REMOVABLE STAINLESS STEEL DECK
- * DIGITAL DIAGNOSTIC CONTROL SYSTEM WITH PROGRAMMABLE DEFROSTING
- * REAR PLEXIGLAS SLIDING DOORS
- * SELF-CONTAINED, AIR-COOLED CONDENSING UNIT
- * OPTIMAL PRODUCT VIEWING WITH INCLINED DISPLAY
- * FRONT GLASS OPENS DOWNWARD (TILT-BACK)
- * MULTIPLEXING CAPABILITY WITH PASTRY, DELI, CHOCOLATE AND HOT CASE APPLICATIONS
- * RESERVE PAN STORAGE
- * DISPLAY CASE(S) TO BE SHIPPED FULLY ASSEMBLED
- * DISPLAY CASE(S) HAVE INTERGRATED ELECTRONIC TIME AND TEMPERATURE CONTROLLER(S) WITH HOT GAS DEFROST STANDARD ON GELATO MODELS
- * THE STANDARD LIMITED WARRANTY INCLUDES:
5 YEAR COMPRESSOR; 1 YEAR PARTS; 90 DAYS LABOR
- * DISPLAY CASE(S) TO BE LABORATORY CERTIFIED AS DESCRIBED

OPTIONAL

- * CASTERS
- * GRANITE WORK SURFACE (OPERATOR SIDE)
- * REMOTE CONDENSING UNIT
- * PULL DOWN ROLLER CURTAIN
- * DECORATIVE SIDE PANELS
- * STAINLESS STEEL TEMPLATE TO ACCOMODATE 2.5 GALLON OR 3 GALLON ROUND ICE CREAM TUBS
- * PANS NOT INCLUDED



- * SIDE & FRONT PANELS PAINTED IN A GLOSSY FINISH (CASE SHIP IN BUFF WHITE PRIMER)



Sacher Gelato / Ice Cream Technical Specifications

Updated Model no.	Old Model No.	Factory Code	Case Height	*Case Length	Case Depth	Crated Weight (lb)	Line Voltage	Breaker Size	Amp Draw	BTU	Working Temp F	Pan Capacity			Comp. HP
										-20 Evap Temp (R404a)		4 Liter	5 Liter	Rounds	
SG40	C83FS-100SC	GA 2.5	55.50"	40.31"	38.07"	750	220/1/60	20amps	12	3069	-10 to + 10	10	7	5	1 1/2 HP
SG60	C83FS-150SC	GA 2.8	55.50"	60.00"	38.07"	900	220/1/60	20amps	13	6138	-10 to + 10	16	11	8	2 HP
SG80	C83FS-200SC	GA 2.11	55.50"	79.69"	38.07"	984	220/1/60	30amps	16	6138	-10 to + 10	22	16	10	2X1HP

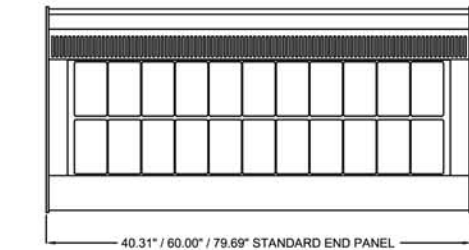


STANDARD END PANEL

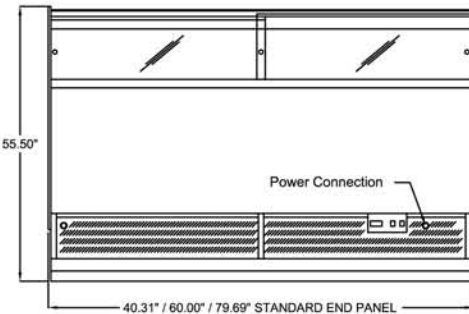


DECORATIVE END PANEL

*Case lengths are specified with standard end panels

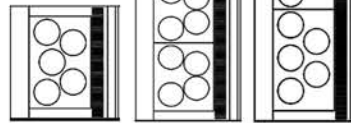
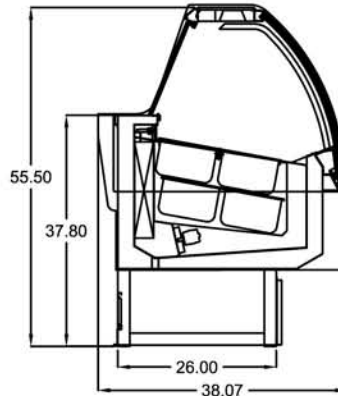


40.31" / 60.00" / 79.69" STANDARD END PANEL



40.31" / 60.00" / 79.69" STANDARD END PANEL

PLAN & REAR VIEW



SIDE VIEW & TUB LAYOUT

Factory Code	Pan Layout	Pan Size
GA 2.5		4 Liter
GA 2.5		5 Liter
GA 2.8		4 Liter
GA 2.8		5 Liter
GA 2.11		4 Liter
GA 2.11		5 Liter

LISTINGS:



ELECTRICAL CONNECTION:

Display cases are shipped with applicable junction box for hardwired installation
Options exist for several NEMA configurations
Plug and/or receptacle configurations are at the discretion of the electrical installer

NOTE:

Required ambient conditions: 75°F; 55% RH
Drawing and Specifications are subject to change without notice

CLABO North America, LLC
33300 Central Avenue
Union City, CA 94587 USA
PH 800.672.2784
FAX 510.441.0401
<http://www.otl-usa.com>