

SH37

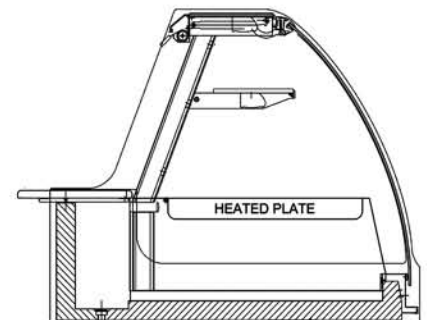
SH55BM



### BID SPECIFICATIONS

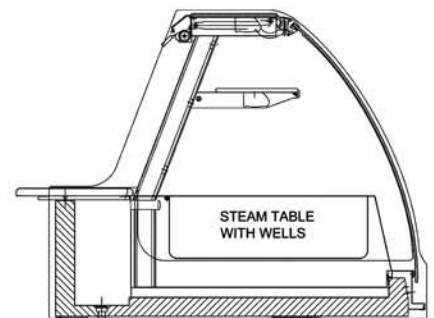
STANDARD

- \* CS - DRY WARMED TOP ON STAINLESS STEEL BASIN
- \* CBM - HOT WELLS FOOD WARMER
- \* ALL TEMPERED GLASS ON FRONT AND SIDES
- \* STAINLESS STEEL WORK SURFACE
- \* MULTIPLEXING CAPABILITY WITH GELATO, PASTRY, DELI, CHOCOLATE AND HOT APPLCIATIONS
- \* DISPLAY CASE(S) TO BE SHIPPED FULLY ASSEMBLED
- \* THE STANDARD LIMITED WARRANTY INCLUDES:  
1 YEAR PARTS, 90 DAYS LABOR
- \* DISPLAY CASE(S) TO BE LABORATORY CERTIFIED AS DESCRIBED



OPTIONAL

- \* CASTERS
- \* GRANITE WORK SURFACE (OPERATOR SIDE)
- \* DECORATIVE SIDE PANELS
- \* SIDE & FRONT PANELS PAINTED IN A GLOSSY FINISH (CASE SHIP IN BUFF WHITE PRIMER)



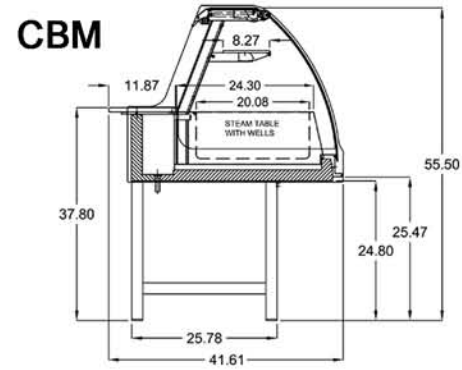
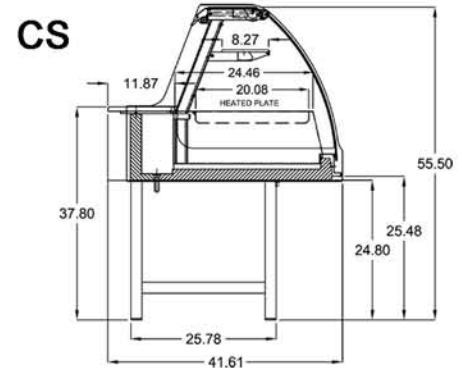
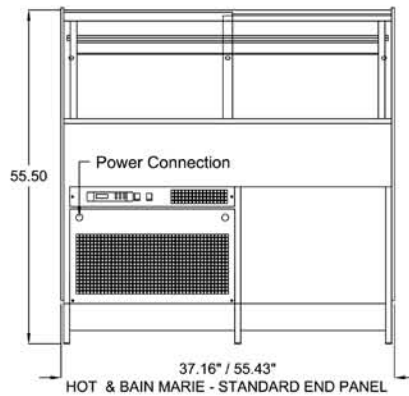
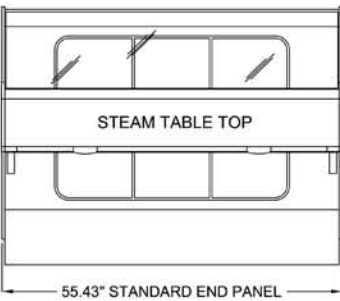
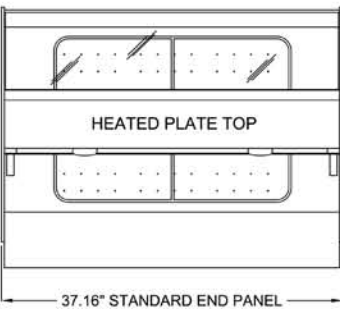
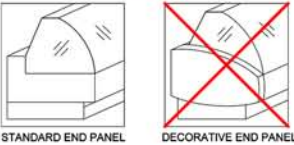
## Sacher Deli Hot Case Technical Specifications

Wet or Dry Hot

Updated Model no.	Old Model No.	Factory Code	Case Height	*Case Length	Case Depth	Crated Weight (lb)	* Line Voltage	Breaker Size
SH37	C87S-3HC (Dry)	CS 2M	55.50"	37.16"	41.61"	624	220/1/60	20amps
SH55BM	C87S-5HCBM (Wet, Bain Marie)	CBM 3M	55.50"	55.43"	41.61"	734	220/1/60	30amps

\* Case lengths are specified with standard end panels

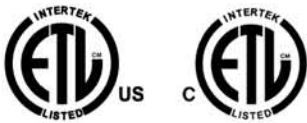
\* Available in 220V/3 Phase



PLAN & REAR VIEW

SIDE VIEW

### LISTINGS:



### ELECTRICAL CONNECTION:

Display cases are shipped with applicable junction box for hardwired installation  
 Options exist for several NEMA configurations  
 Plug and/or receptacle configurations are at the discretion of the electrical installer

### NOTE:

Required ambient conditions: 75°F; 55% RH  
 Drawing and Specifications are subject to change without notice

CLABO North America, LLC  
 33300 Central Avenue  
 Union City, CA 94587 USA  
 PH 800.672.2784  
 FAX 510.441.0401  
<http://www.otl-usa.com>