

SN38

SN56

SN73

SN110



### BID SPECIFICATIONS

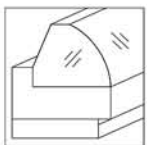
S  
T  
A  
N  
D  
A  
R  
D

- \* TEMPERED GLASS FRONT AND SIDES
- \* HYDRAULIC LIFT UP FRONT GLASS
- \* STAINLESS STEEL INTERIOR AND EXTERIOR BACK
- \* REAR PLEXIGLAS DOORS
- \* DISPLAY CASE(S) TO BE SHIPPED FULLY ASSEMBLED
- \* THE STANDARD LIMITED WARRANTY INCLUDES:
  - 1 YEAR PARTS; 90 DAYS LABOR
- \* DISPLAY CASE(S) TO BE LABORATORY CERTIFIED AS DESCRIBED

O  
P  
T  
I  
O  
N  
A  
L

- \* CASTERS
- \* GRANITE WORK SURFACE (OPERATOR SIDE)
- \* DECORATIVE SIDE PANELS

\* SIDE & FRONT PANELS PAINTED IN A GLOSSY FINISH (CASE SHIP IN BUFF WHITE PRIMER)



STANDARD END PANEL



DECORATIVE END PANEL

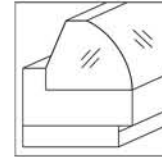
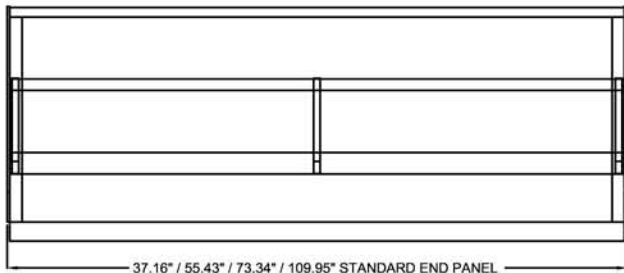


### Sacher Neutral Case Technical Specifications

No Heat, No Cooling

Updated Model no.	Factory Code	Case Height	*Case Length	Case Depth	Crated Weight (lb)	Line Voltage	Breaker Size	Amp Draw	Working Temp
SN38	NS 2M	55.50"	37.16"	41.61"	750	115/1/60	20amps	2	Ambient
SN56	NS 3M	55.50"	55.43"	41.61"	1135	115/1/60	20amps	3	Ambient
SN73	NS 4M	55.50"	73.34"	41.61"	1476	115/1/60	20amps	4	Ambient
SN110	NS 6M	55.50"	109.95"	41.61"	1416	115/1/60	20amps	4	Ambient

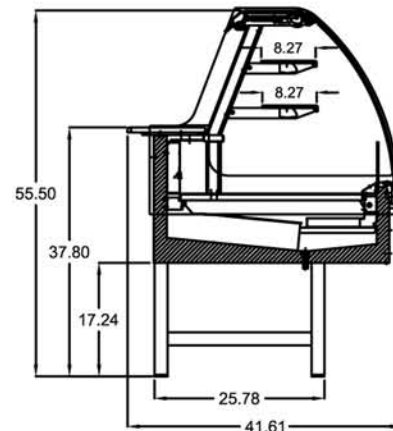
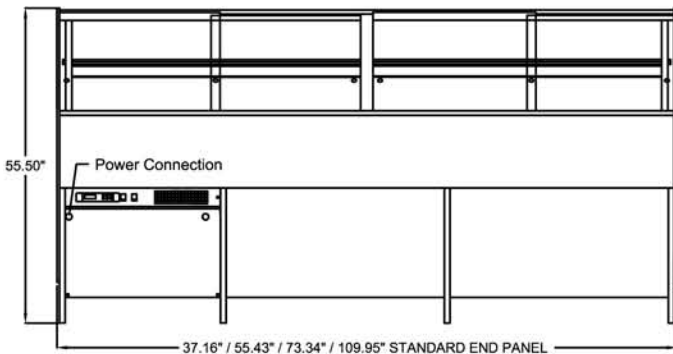
\*Case lengths are specified with standard end panels



STANDARD END PANEL



DECORATIVE END PANEL



PLAN & REAR VIEW

SIDE VIEW

#### LISTINGS:



#### ELECTRICAL CONNECTION:

Display cases are shipped with applicable junction box for hardwired installation  
 Options exist for several NEMA configurations  
 Plug and/or receptacle configurations are at the discretion of the electrical installer

#### NOTE:

Required ambient conditions: 75°F; 55% RH  
 Drawing and Specifications are subject to change without notice

CLABO North America, LLC  
 33300 Central Avenue  
 Union City, CA 94587 USA  
 PH 800.672.2784  
 FAX 510.441.0401  
<http://www.otl-usa.com>