

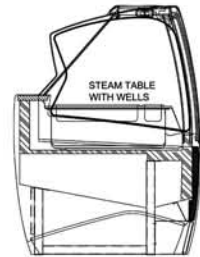
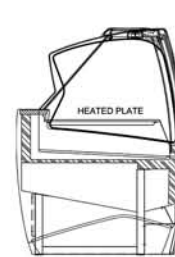
TRILOGY

HOT SHOWCASE

TH43-1300
TH43-1500

TH64-1300
TH64-1500

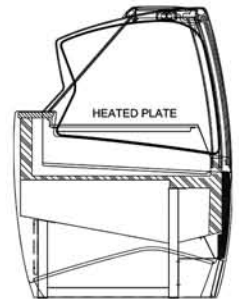
TH64BM-1300
TH64BM-1500



BID SPECIFICATIONS

STANDARD

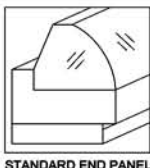
- * CS - DRY WARMED TOP ON STAINLESS STEEL BASIN
- * CBM - HOT WELLS FOOD WARMER - DRY OR WET
- * TEMPERED GLASS (FRONT AND SIDES)
- * STAINLESS STEEL WORK SURFACE
- * SILVER ANODIZED ALUMINUM TRIM
- * MULTIPLEXING CAPABILITY WITH GELATO, PASTRY, DELI, CHOCOLATE AND HOT CASE APPLICATIONS
- * DISPLAY CASE(S) TO BE SHIPPED FULLY ASSEMBLED
- * THE STANDARD LIMITED WARRANTY INCLUDES:
1 YEAR PARTS; 90 DAYS LABOR
- * DISPLAY CASE(S) TO BE LABORATORY CERTIFIED AS DESCRIBED



OPTIONAL

- * CASTERS
- * GRANITE WORK SURFACE (OPERATOR SIDE)
- * CHAMPAGNE ANODIZED ALUMINUM TRIM
- * DECORATIVE SIDE PANELS

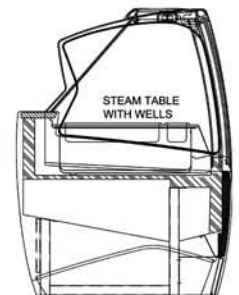
* SIDE & FRONT PANELS PAINTED IN A GLOSSY FINISH (CASE SHIP IN BUFF WHITE PRIMER)



STANDARD END PANEL



DECORATIVE END PANEL (OPTIONAL)



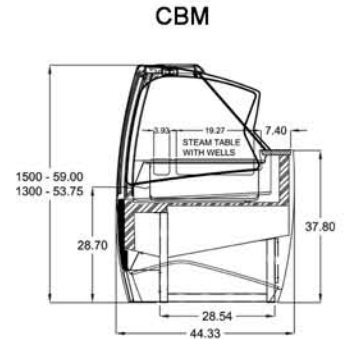
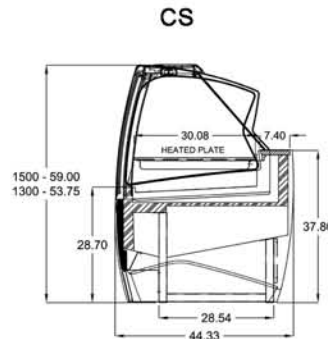
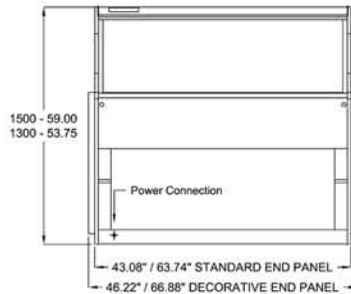
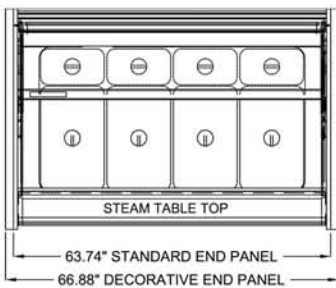
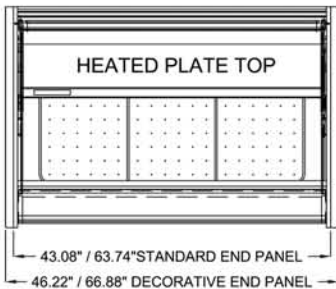
Trilogy Hot Case Technical Specifications

Updated Model no.	Old Model No.	Factory Code	Case Height	*Case Length	Case Depth	Crated Weight (lb)	* Line Voltage	Breaker Size	Shelves
TH43-1300	C83T-3HC (Dry)	CS 2M	53.75"	43.08"	44.33"	624	220/1/60	20amps	N/A
TH43-1500	C83T-3HC (Dry)	CS 2M	59.00"	43.08"	44.33"	624	220/1/60	20amps	N/A
TH64-1300	C83T-5HC (Dry)	CS 3M	53.75"	63.74"	44.33"	734	220/1/60	30amps	N/A
TH64-1500	C83T-5HC (Dry)	CS 3M	59.00"	63.74"	44.33"	734	220/1/60	30amps	N/A
TH64BM-1300	C83T-5HCBM (Wet, Bain Marie)	CBM 3M	53.75"	63.74"	44.33"	734	220/1/60	40amps	N/A
TH64BM-1500	C83T-5HCBM (Wet, Bain Marie)	CBM 3M	59.00"	63.74"	44.33"	734	220/1/60	40amps	N/A

BM = Bain Marie

* Available in 3 Phase

* Case lengths are specified with standard end panels



PLAN & REAR VIEW

SIDE VIEWS

LISTINGS:



ELECTRICAL CONNECTION:

Display cases are shipped with applicable junction box for hardwired installation
Options exist for several NEMA configurations
Plug and/or receptacle configurations are at the discretion of the electrical installer

NOTE:

Required ambient conditions: 75°F; 55% RH
Drawing and Specifications are subject to change without notice

CLABO North America, LLC
33300 Central Avenue
Union City, CA 94587 USA
PH 800.672.2784
FAX 510.441.0401
<http://www.otl-usa.com>