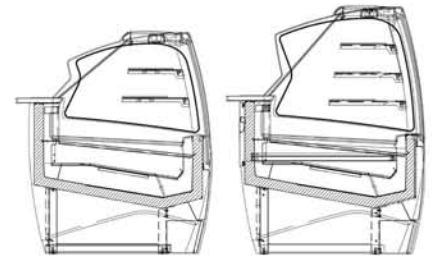


TRILOGY

FULLY REFRIGERATED SHOWCASE (MEDIUM TEMPERATURE)

TFRMT43-1300
TFRMT64-1300
TFRMT85-1300

TFRMT43-1500
TFRMT64-1500
TFRMT85-1500



BID SPECIFICATIONS

STANDARD

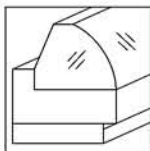
- * TEMPERED, DOUBLE PANE GLASS ON FRONT AND SIDE
- * REAR PLEXIGLASS SLIDING DOORS
- * GALVANIZED STEEL CHASSIS CONSTRUCTION
- * INSULATED WITH DENSE NON-CFC ECOLOGIC POLYURETHANE FOAM
- * INSIDE STRUCTURE MADE OF HIGH GLOSS 304 STAINLESS STEEL
- * STAINLESS STEEL WORK SURFACE
- * DIGITAL DIAGNOSTIC CONTROL SYSTEM WITH PROGRAMMABLE DEFROST
- * UNIQUE FAN ASSISTED AIRFLOW DESIGN
- * SILVER ANODIZED ALUMINUM TRIM
- * HYDRAULIC LIFT UP GLASS

- * FULL REFRIGERATION & AIRFLOW (DECK & SHELVES)
- * AIR-COOLED CONDENSING UNIT
- * MULTIPLEXING CAPABILITY WITH GELATO, PASTRY, DELI , CHOCOLATE AND HOT CASE APPLICATIONS
- * DISPLAY CASE(S) TO BE SHIPPED FULLY ASSEMBLED
- * THE STANDARD LIMITED WARRANTY INCLUDES:
5 YEAR COMPRESSOR; 1 YEAR PARTS; 90 DAYS LABOR
- * DISPLAY CASE(S) TO BE LABORATORY CERTIFIED AS DESCRIBED

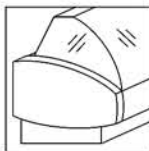
OPTIONAL

- * CASTERS
- * GRANITE WORK SURFACE (OPERATOR SIDE)
- * CHAMPAGNE ANODIZED ALUMINUM TRIM
- * REMOTE CONDENSING UNIT
- * DOUBLE PANE SLIDING GLASS BACK DOORS
- * DECORATIVE SIDE PANELS

- * SIDE & FRONT PANELS PAINTED IN A GLOSSY FINISH (CASE SHIP IN BUFF WHITE PRIMER)



STANDARD END PANEL



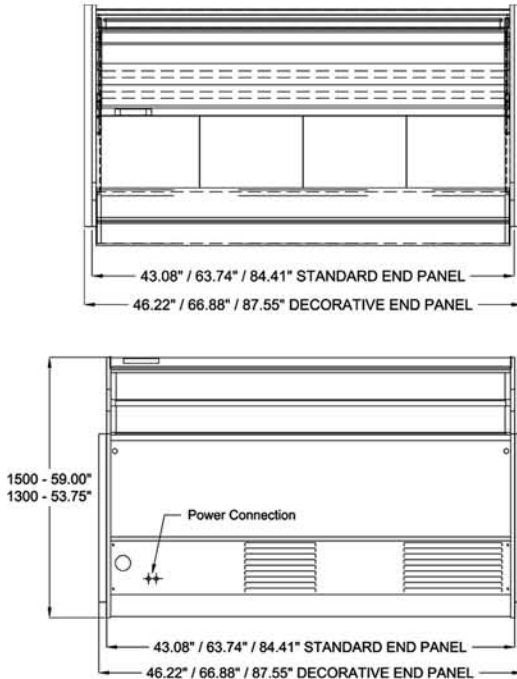
DECORATIVE END PANEL (OPTIONAL)

Trilogy Fully Refrigerated Case Technical Specifications

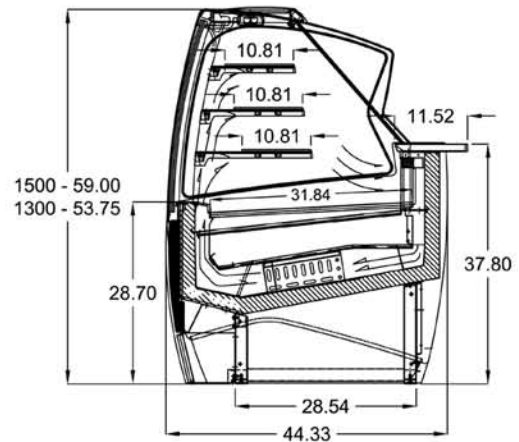
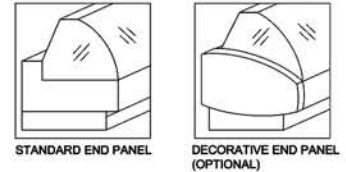
All Shelves Refrigerated, not just bottom area as on Deli & Pastry. Med temp available.

Updated Model no.	Old Model No.	Factory Code	Case Height	Case Length	Case Depth	Crated Weight (lb)	Line Voltage	Breaker Size	Amp Draw	Working Temp F	Comp. HP	Shelves
TFRMT43-1300	C87TT4-M2	TT4 2M	53.75"	43.08"	44.33"	734	115/1/60	20amps	8	38	1/3 HP	2
TFRMT43-1500	C87TT4-M2	TT4 2M	59.00"	43.08"	44.33"	734	115/1/60	20amps	8	38	1/3 HP	3
TFRMT64-1300	C87TT4-M3	TT4 3M	53.75"	63.74"	44.33"	844	115/1/60	20amps	12	38	1/2 HP	2
TFRMT64-1500	C87TT4-M3	TT4 3M	59.00"	63.74"	44.33"	844	115/1/60	20amps	12	38	1/3 HP	3
TFRMT85-1300	C87TT4-M4	TT4 4M	53.75"	84.41"	44.33"	998	115/1/60	20amps	13	38	3/4 HP	2
TFRMT85-1500	C87TT4-M4	TT4 4M	59.00"	84.41"	44.33"	998	115/1/60	20amps	13	38	3/4 HP	3

*Case lengths are specified with standard end panels



PLAN & REAR VIEW



SIDE VIEWS

LISTINGS:



ELECTRICAL CONNECTION:

Display cases are shipped with applicable junction box for hardwired installation
Options exist for several NEMA configurations
Plug and/or receptacle configurations are at the discretion of the electrical installer

NOTE:

Required ambient conditions: 75°F; 55% RH
Drawing and Specifications are subject to change without notice

CLABO North America, LLC
33300 Central Avenue
Union City, CA 94587 USA
PH 800.672.2784
FAX 510.441.0401
<http://www.otl-usa.com>