

Z6 Z9 Z12



BID SPECIFICATIONS

STANDARD

- * HEATED FRONT AND SIDE GLASS
- * INCLINE DISPLAY
- * GALVANIZED STEEL CHASSIS CONSTRUCTION
- * SELF-CONTAINED, AIR-COOLED CONDENSING UNIT
- * UNIQUE FAN ASSISTED AIRFLOW DESIGN
- * INSULATED WITH DENSE NON-CFC ECOLOGIC POLYURETHANE FOAM
- * BACK & INSIDE STRUCTURE MADE OF HIGH GLOSS 304 STAINLESS STEEL
- * DIGITAL DIAGNOSTIC CONTROL SYSTEM WITH PROGRAMMABLE DEFROST
- * ILLUMINATED FLAVOR PANEL

- * HYDRAULIC LIFT UP FRONT GLASS
- * STAINLESS STEEL WORK SURFACE
- * REMOVABLE STAINLESS STEEL DECK
- * REAR PLEXIGLASS SLIDING DOORS
- * DISPLAY CASE(S) TO BE SHIPPED FULLY ASSEMBLED
- * DISPLAY CASE(S) HAVE INTERGRATED ELECTRONIC TIME AND TEMPERATURE CONTROLLER(S) WITH HOT GAS DEFROST STANDARD ON GELATO MODELS
- * THE STANDARD LIMITED WARRANTY INCLUDES:
5 YEAR COMPRESSOR; 1 YEAR PARTS; 90 DAYS LABOR
- * DISPLAY CASE(S) TO BE LABORATORY CERTIFIED AS DESCRIBED

OPTIONAL

- * CASTERS
- * GRANITE WORK SURFACE (OPERATOR SIDE)
- * REMOTE CONDENSING UNIT
- * PULL DOWN ROLLER CURTAIN
- * DUAL TEMPERATURE ZONES ON G12 MODEL

- * PANS NOT INCLUDED



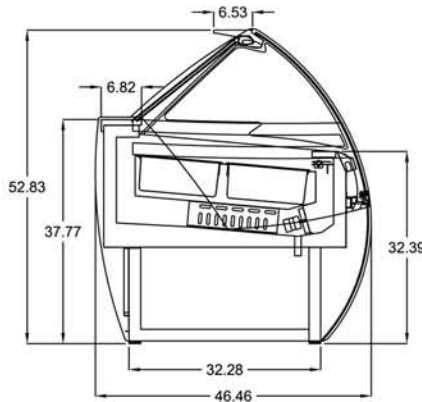
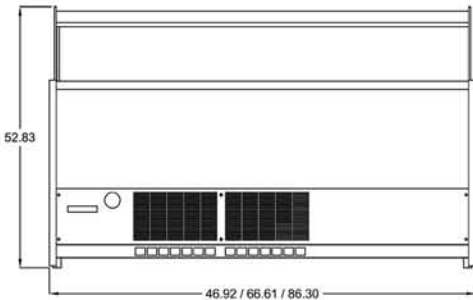
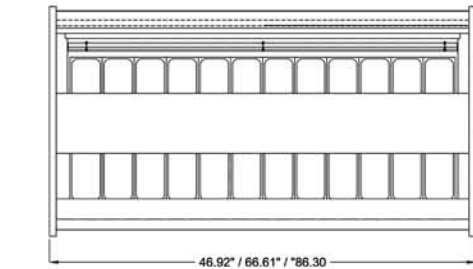
- * RAL CUSTOM COLOR (FRONT & SIDE PANELS) (SHOWCASE SHIPS IN MATTE WHITE FINISH)



Ventura L II Zip Ice Cream / Gelato Case Technical Specifications

Updated Model no.	Factory Code	Case Height	*Case Length	Case Depth	Crated Weight (lb)	Line Voltage	Breaker Size	Amp Draw	BTU		Pan Capacity		Comp. HP
									-20 Evap Temp (R404a)	Working Temp F	5 Liter	12 Liter	
Z6	G6	52.83"	46.92"	46.50"	950	220/1/60	20amps	12	3069	-10 to + 10	12	8	1 1/2 HP
Z9	G9	52.83"	66.61"	46.50"	1110	220/1/60	20amps	14	6138	-10 to + 10	18	12	2 HP
Z12	G12	52.83"	86.30"	46.50"	1250	220/1/60	30amps	16	7850	-10 to + 10	24	16	2 X 1 HP

* Case lengths are specified with standard / flat / technical panels



Factory Code	Pan Layout	Pan Size
G6		5 Liter
G6		12 Liter
G9		5 Liter
G9		12 Liter
G12		5 Liter
G12		12 Liter

PLAN & REAR VIEW

SIDE VIEW

LISTINGS:



ELECTRICAL CONNECTION:

Display cases are shipped with applicable junction box for hardwired installation
Options exist for several NEMA configurations
Plug and/or receptacle configurations are at the discretion of the electrical installer

NOTE:

Required ambient conditions: 75°F; 55% RH
Drawing and Specifications are subject to change without notice

CLABO North America, LLC
33300 Central Avenue
Union City, CA 94587 USA
PH 800.672.2784
FAX 510.441.0401
<http://www.otl-usa.com>