

TD44 TD65 TD85 TDA45



### BID SPECIFICATIONS

STANDARD

- \* AIR-COOLED CONDENSING UNIT SELF CONTAINED
- \* UNIQUE FAN ASSISTED AIRFLOW DESIGN
- \* GALVANIZED STEEL CHASSIS CONSTRUCTION
- \* INSULATED WITH DENSE NON-CFC ECOLOGIC POLYURETHANE FOAM
- \* INSIDE STRUCTURE MADE OF HIGH GLOSS 304 STAINLESS STEEL
- \* ALL TEMPERED, DOUBLE PANE GLASS FRONT AND SIDES
- \* TILT BACK FRONT GLASS
- \* REFRIGERATED DECK, NON-REFRIGERATED SHELVES
- \* DIGITAL DIAGNOSTIC CONTROL SYSTEM WITH PROGRAMMABLE DEFROST
- \* REAR PLEXIGLASS SLIDING DOORS
- \* STAINLESS STEEL WORK SURFACE
- \* SILVER ANODIZED ALUMINUM TRIM
- \* MULTIPLEXING CAPABILITY WITH GELATO, PASTRY, DELI, CHOCOLATE AND HOT CASE APPLICATIONS
- \* DISPLAY CASE(S) TO BE SHIPPED FULLY ASSEMBLED
- \* THE STANDARD LIMITED WARRANTY INCLUDES: 5 YEAR COMPRESSOR; 1 YEAR PARTS; 90 DAYS LABOR
- \* DISPLAY CASE(S) TO BE LABORATORY CERTIFIED AS DESCRIBED

OPTIONAL

- \* CASTERS
- \* GRANITE WORK SURFACE (OPERATOR SIDE)
- \* REMOTE CONDENSING UNIT
- \* REAR AIR INTAKE AND DISCHARGE
- \* SIDE & FRONT PANELS PAINTED IN A GLOSSY FINISH (CASE SHIPS WITH MATTE WHITE FINISH)



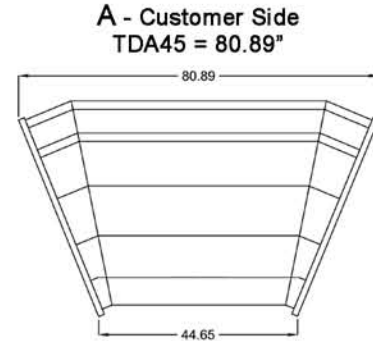
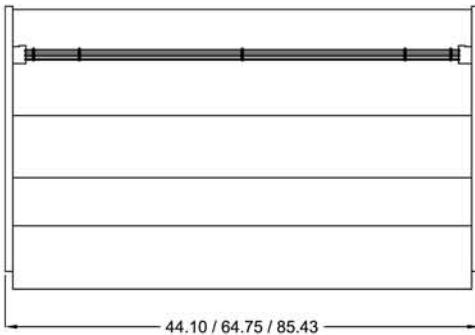
### Ventura XP II Tecnica Deli Case Technical Specifications

Same as Deli Refrigerated Case. but includes drawer

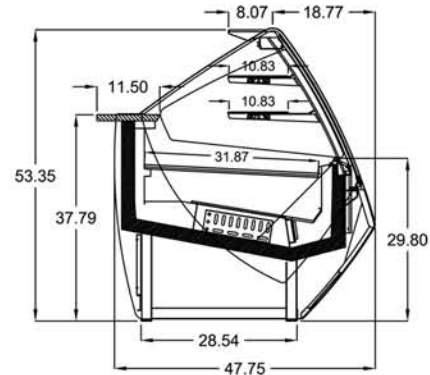
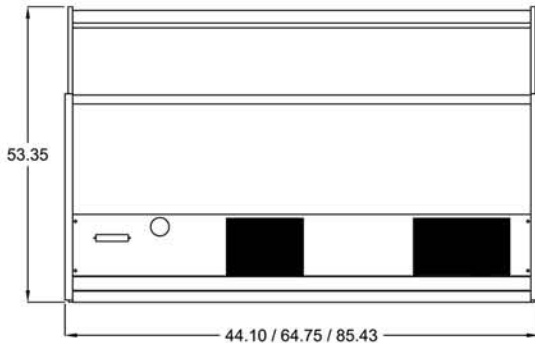
Model no.	Factory Code	Case Height	*Case Length	Case Depth	Crated Weight (lb)	Line Voltage	Breaker Size	Amp Draw	Working Temp F	Comp. HP	Shelves
TD44	RVS 2M	53.35"	44.10"	47.75"	590	115/1/60	20amps	10	38	1/2 HP	2
TD65	RVS 3M	53.35"	64.75"	47.75"	745	115/1/60	20amps	10	38	1/2 HP	2
TD85	RVS 4M	53.35"	85.43"	47.75"	950	115/1/60	20amps	10	38	3/4 HP	2
TDA45	RVC A45	53.35"	* A & B *	47.75"	565	115/1/60	20amps	10	38	1/2 HP	2

\* Case length is the same with either decorative or flat end panels

\* Type of end panel to be specified at time of order



**B - Server Side**  
TDA45 = 44.65"



**PLAN & REAR VIEW**

**A45 & SIDE VIEW**

#### LISTINGS:



#### ELECTRICAL CONNECTION

Display cases are shipped with applicable junction box for hardwired installation  
Options exist for several NEMA configurations  
Plug and/or receptacle configurations are at the discretion of the electrical installer

#### NOTE:

Required ambient conditions: 75°F; 55% RH  
Drawing and Specifications are subject to change without notice

CLABO North America, LLC  
33300 Central Avenue  
Union City, CA 94587 USA  
PH 800.672.2784  
FAX 510.441.0401  
<http://www.otl-usa.com>