

T6 T9 T12 TA45



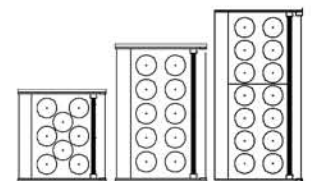
BID SPECIFICATIONS

STANDARD

- * UNIQUE FAN ASSISTED AIRFLOW DESIGN
- * SELF-CONTAINED, AIR-COOLED CONDENSING UNIT
- * GALVANIZED STEEL CHASSIS CONSTRUCTION
- * BACK & INSIDE STRUCTURE MADE OF HIGH GLOSS 304 STAINLESS STEEL
- * INSULATED WITH DENSE NON-CFC ECOLOGIC POLYURETHANE FOAM
- * INCLINE DISPLAY HIGH VISUAL IMPACT
- * DOUBLE PANE HEATED GLASS (FRONT AND SIDES)
- * TILT BACK FRONT GLASS
- * DIGITAL DIAGNOSTIC CONTROL SYSTEM WITH PROGRAMMABLE DEFROST
- * REAR PLEXIGLASS SLIDING DOOR
- * ILLUMINATED FLAVOR PANEL
- * STAINLESS STEEL WORK SURFACE
- * REMOVABLE STAINLESS STEEL DECK
- * RESERVE PAN STORAGE
- * MULTIPLEXING CAPABILITY WITH GELATO, PASTRY, DELI, CHOCOLATE AND HOT CASE APPLICATIONS
- * DISPLAY CASE(S) TO BE SHIPPED FULLY ASSEMBLED
- * DISPLAY CASE(S) HAVE INTERGRATED ELECTRONIC TIME AND TEMPERATURE CONTROLLER(S) WITH HOT GAS DEFROST STANDARD ON GELATO MODELS
- * THE STANDARD LIMITED WARRANTY INCLUDES:
5 YEAR COMPRESSOR; 1 YEAR PARTS; 90 DAYS LABOR
- * DISPLAY CASE(S) TO BE LABORATORY CERTIFIED AS DESCRIBED

OPTIONAL

- * CASTERS
- * GRANITE WORK SURFACE (OPERATOR SIDE)
- * REMOTE CONDENSING UNIT
- * PULL DOWN ROLLER CURTAIN
- * STAINLESS STEEL TEMPLATE TO ACCOMODATE 2.5 GALLON OR 3 GALLON ROUND ICE CREAM TUBS
- * PANS NOT INCLUDED
- * RAL CUSTOM COLOR (FRONT & SIDE PANELS) (SHOWCASE SHIPS IN MATTE WHITE FINISH)

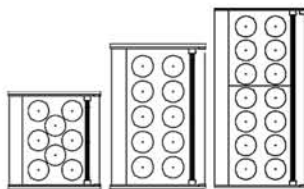
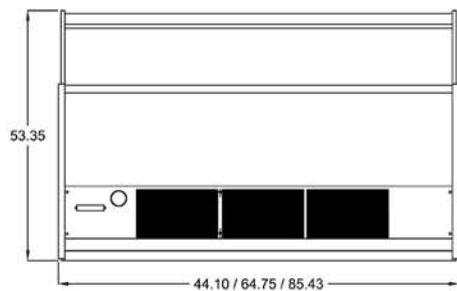
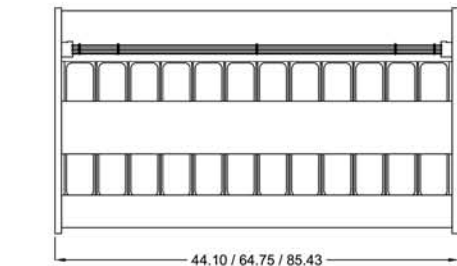


Ventura XP II Tecnica Ice Cream / Gelato Case Technical Specifications

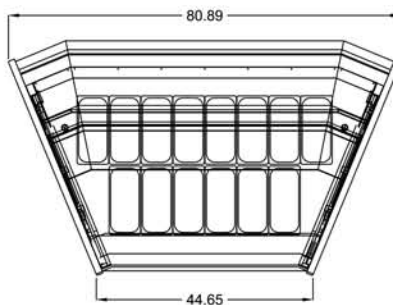
Model no.	Factory Code	Case Height	*Case Length	Case Depth	Crated Weight (lb)	Line Voltage	Breaker Size	Amp Draw	BTU	Working Temp F	Pan Capacity			Comp. HP
									-20 Evap Temp (R404a)		5 Liter	12 Liter	Rounds	
T6	G6	53.35"	44.10"	47.75"	905	220/1/60	20amps	12	3069	-10 to + 10	12	8	8	1 1/2 HP
T9	G9	53.35"	64.75"	47.75"	1080	220/1/60	30amps	16	6138	-10 to + 10	18	12	10	2 X 1 HP
T12	G12	53.35"	85.43"	47.75"	1235	220/1/60	30amps	17	7850	-10 to + 10	24	16	14	2 X 1 HP
TA45	GA45	53.35"	* A & B *	47.75"	790	220/1/60	20amps	13	4100	-10 to + 10	14	9	9	1 1/2 HP

* Case length is the same with either decorative or flat end panels

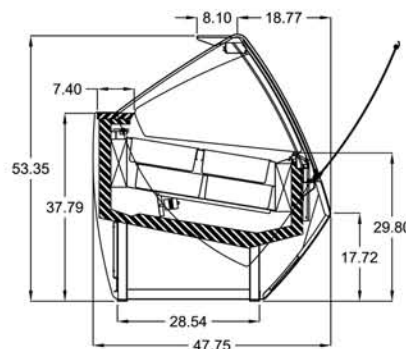
* Type of end panel to be specified at time of order



A - Customer Side
TA45 = 80.89"



B - Server Side
TA45 = 44.65"



Factory Code	Pan Layout	Pan Size
G6		5 Liter
G6		12 Liter
G9		5 Liter
G9		12 Liter
G12		5 Liter
G12		12 Liter

PLAN & REAR VIEW / TUB LAYOUT

A45 & SIDE VIEW

LISTINGS:



ELECTRICAL CONNECTION:

Display cases are shipped with applicable junction box for hardwired installation
Options exist for several NEMA configurations
Plug and/or receptacle configurations are at the discretion of the electrical installer

NOTE:

Required ambient conditions: 75°F; 55% RH
Drawing and Specifications are subject to change without notice

CLABO North America, LLC
33300 Central Avenue
Union City, CA 94587 USA
PH 800.672.2784
FAX 510.441.0401
<http://www.otl-usa.com>