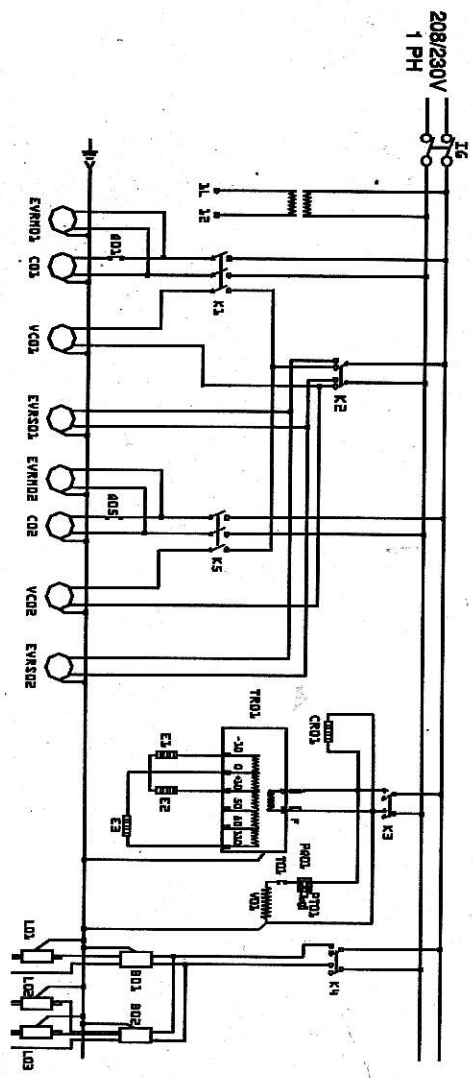
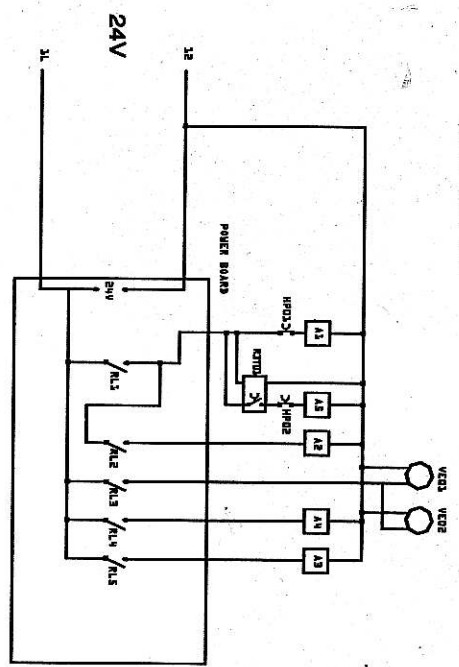


Electrical Diagram Gnea G9 / G12
Illustration n° 24



CR01	REAR DECK HEATING WIRE	IG	MAIN POWER DISCONNECT SWITCH
TR01	TRANSFORMER	K1	CONTACTOR COMPRESSOR
F	TRANSFORMER FUSE	K2	DEF RELAY - COND FANSOLENOID VALVES
E1	RIGHT SIDE GLASS HEATER STRIP	K3	GLASS HEATER STRIP TRANSFORMER RELAY
E2	LEFT SIDE GLASS HEATER STRIP	K4	LAMP RELAY
E3	FRONT GLASS HEATER STRIP	K5	CONTACTOR AND COMPRESSOR
B01	BALLAST	Q01	KLAXON
B02	BALLAST	Q02	KLAXON 2ND COMPRESSOR
L01	LAMP	U01	POWER 24 V
L02	LAMP	EVRM01	LIQUID LINE SOLENOID VALVE
L03	LAMP	EVRM02	LIQUID LINE SOLENOID VALVE AND COMPRESSOR
P01	THERMOSTATIC SWITCH CONDENSATION PAN	C01	COMPRESSOR
P01	THERMOSTATIC SWITCH CONDENSATION PAN	C02	2ND COMPRESSOR
T01	PROBE FOR THERMOSTATIC SWITCH CONDENSATION PAN	VC01	CONDENSOR FAN MOTOR
T01	CONDENSATION PAN THERMAL PROTECTION	VC02	CONDENSOR FAN MOTOR AND COMPRESSOR
V01	CONDENSATION PAN HEATER	EVS01	HOT GAS DEFROST SOLENOID VALVE
		EVS02	HOT GAS DEFROST SOLENOID VALVE AND COMPRESSOR

Electrical Diagram Gnea G9 / G12
Illustration n° 25



POWER BOARD	POWER BOARD
RL1	COMPRESSOR POWERBOARD RELAY
RL2	DEFROST POWER BOARD RELAY
RL3	MOTOR FAN EVAP DEFROST POWER BOARD RELAY
RL4	LAMP DEFROST POWER BOARD RELAY
RL5	GLASS HEATER POWER BOARD RELAY
A1	COMPRESSOR CONTACTOR COIL
A2	DEFROST RELAY - CONDENSOR FANSOLENOID VALVE
A3	GLASS HEATER STRIP TRANSFORMER RELAY
A4	DISPLAY LAMP RELAY
A5	COMPRESSOR CONTACTOR COIL AND COMPRESSOR
RT01	CONDENSING UNIT DELAY ON MAKE TIMER
HP01	HIGH PRESSURE CONTROL
HP02	HIGH PRESSURE CONTROL AND COMPRESSOR
VE01	RIGHT FAN MOTOR EVAPORATOR
VE02	LEFT FAN MOTOR EVAPORATOR